



Date
Quote #
Project Name
Type



LRA - Wall Recessed

Description:

LRA is designed for step light applications. Made of fabricated aluminum and contains a tempered glass lens which is silicone sealed for weatherproofing.

Name - Engine - Lumens - CCT - Electrical - Mounting - Lens - Pattern - Options - Finish

Name	Light Engine	Source Lumens _{(LED)(5000K)}	Color Temp	Electrical
LRA	12W LED (Max)	2100	3000K	UNV 120-277V
			3500K	HLV 347-480V
			4000K	
			5000K	
	Contact for custom	Contact for custom	Contact for custom	

Mounting	Lens	Light Pattern	Options	Finishes
R Recessed in dry wall	PR Micro prismatic lens (Std)	FT Forward throw	TP Tamperproof hardware	Standard
RTC Recessed in concrete			TS Tamperproof screws	BL Black
			EM Emergency battery	WH White
			SF Single fuse	SG Silver Grey
				BZ Bronze
				Custom
				CC Custom Color
				See website for custom colors. Contact factory for physical samples.

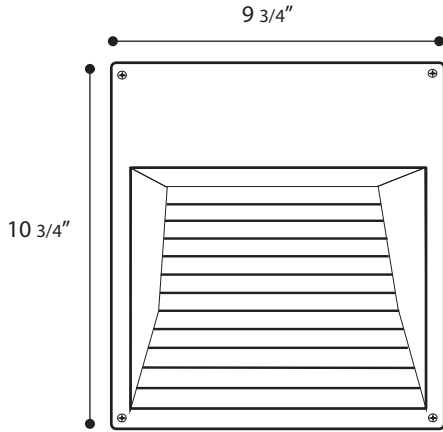
- Lumens are based on max wattage & 5000K CCT
- IES files available upon request
- Std - Standard Offering



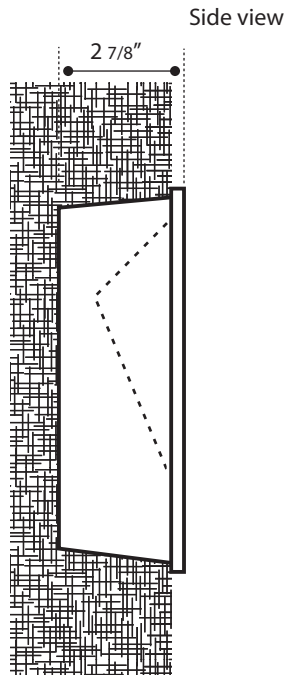


Dimensions & Mounting:

Please note that drawings are not to scale.



Front view



Cut Out Dimensions: 9 3/4" X 10 3/4" X 3 1/2"

Listing:

Complies to CSA and UL standards.

Polar Graph:

