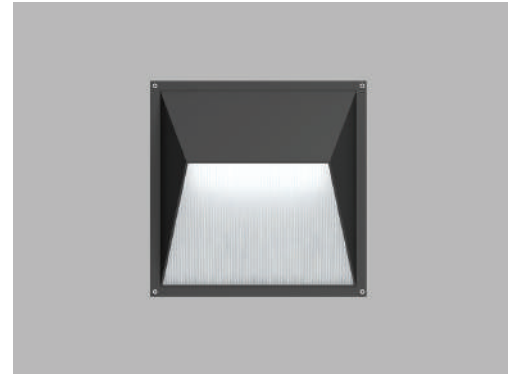




Date
Quote #
Project Name
Type



LLA - Wall Recessed

Description:

LRA is designed for step light applications. Made of fabricated aluminum and contains a tempered glass lens which is silicone sealed for weatherproofing.

Name - Engine - Lumens - CCT - Electrical - Mounting - Lens - Pattern - Options - Finish

Name	Light Engine	Source Lumens _{(LED)(5000K)}	Color Temp	Electrical
LLA	48W LED (Max)	7357	3000K	UNV 120-277V
			3500K	HLV 347-480V
			4000K	
			5000K	

Mounting		Lens		Light Pattern		Options		Finishes	
R	Recessed in dry wall	LPL	Linear prismatic lens (Std)	FT	Forward throw	SD	Step dimming	Standard	
RTC	Recessed in concrete	LOF	Louvered front face			MS	Motion sensor	BL	Black
WM	Wall mount					TP	Tamperproof hardware	WH	White
						TS	Tamperproof screws	SG	Silver Grey
						EM	Emergency battery	BZ	Bronze
						SF	Single fuse	CC	Custom Color

See website for custom colors. Contact factory for physical samples.

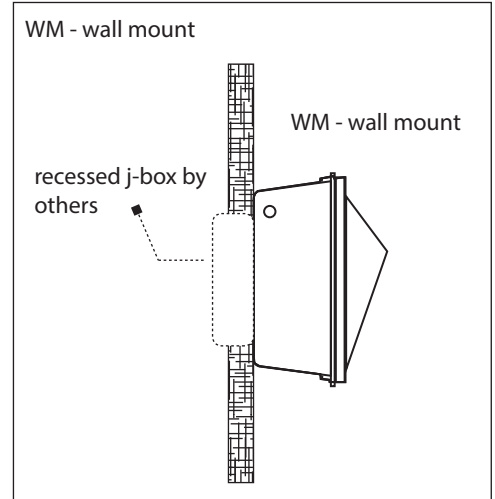
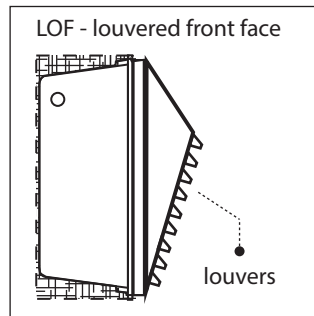
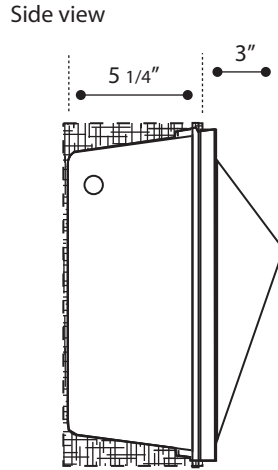
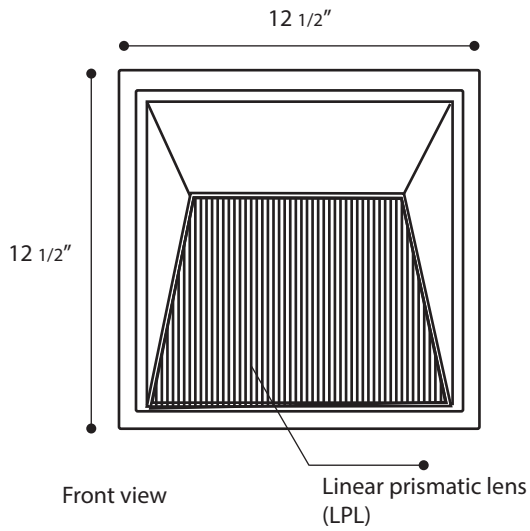
- Lumens are based on max wattage & 5000K CCT
- IES files available upon request
- Std - Standard Offering





Dimensions & Mounting:

Please note that drawings are not to scale.



Listing:

Complies to CSA and UL standards.

Polar Graph:

