

Date:

Type:

Project:



### LEX WALL MOUNT

A wall mount with simple design & up/down illumination. Comes in 4 different sizes; customizable according to specification. Designed for indoors. Wet location is an option.

Name	Length (in inches)		Lamping	Lumens*	Color Temp	Electrical		Mounting	
LEX	24	24"	24W LED (max) per side	4224 per side	5000K	UNV	120-277V	WM	Wall mounted
	36	36"	36W LED (max) per side	6336 per side	4000K	HLV	347-480V		
	48	48"	48W LED (max) per side	8448 per side	3500K				
	60	60"	60W LED (max) per side	10560 per side	3000K				

Contact for other lengths, wattages, & outputs

	Lens	Light Distribution		Options		Finishes	
SL	Satinice lens (Std)	UD	Up & down light (Std)	DM	0-10V Dimming	BL	Black
FR	Frosted lens	D	Down light only	EM	Emergency battery	WH	White
		U	Up light only	RB	Remote driver	SG	Silver Grey
		TP	Tamperproof hardware & screws	BZ	Bronze		
		WL	Wet location				
		MS	Motion sensor	CC	Custom Color		
		SD	Step dimming	BA4	Brushed aluminum #4		

[See finishes info on website](#)

\*General lumens are based on Wattage and 5000K CCT

\*Specific IES Files available upon request

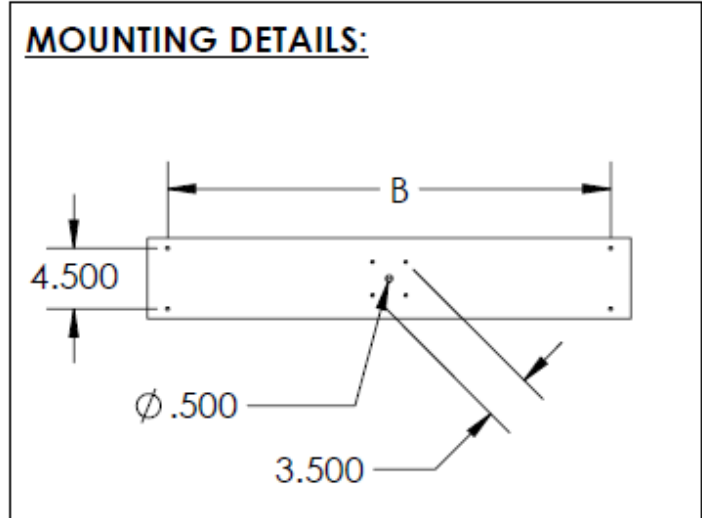
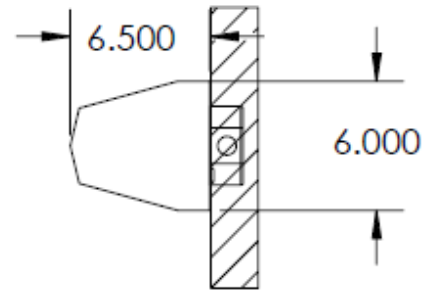
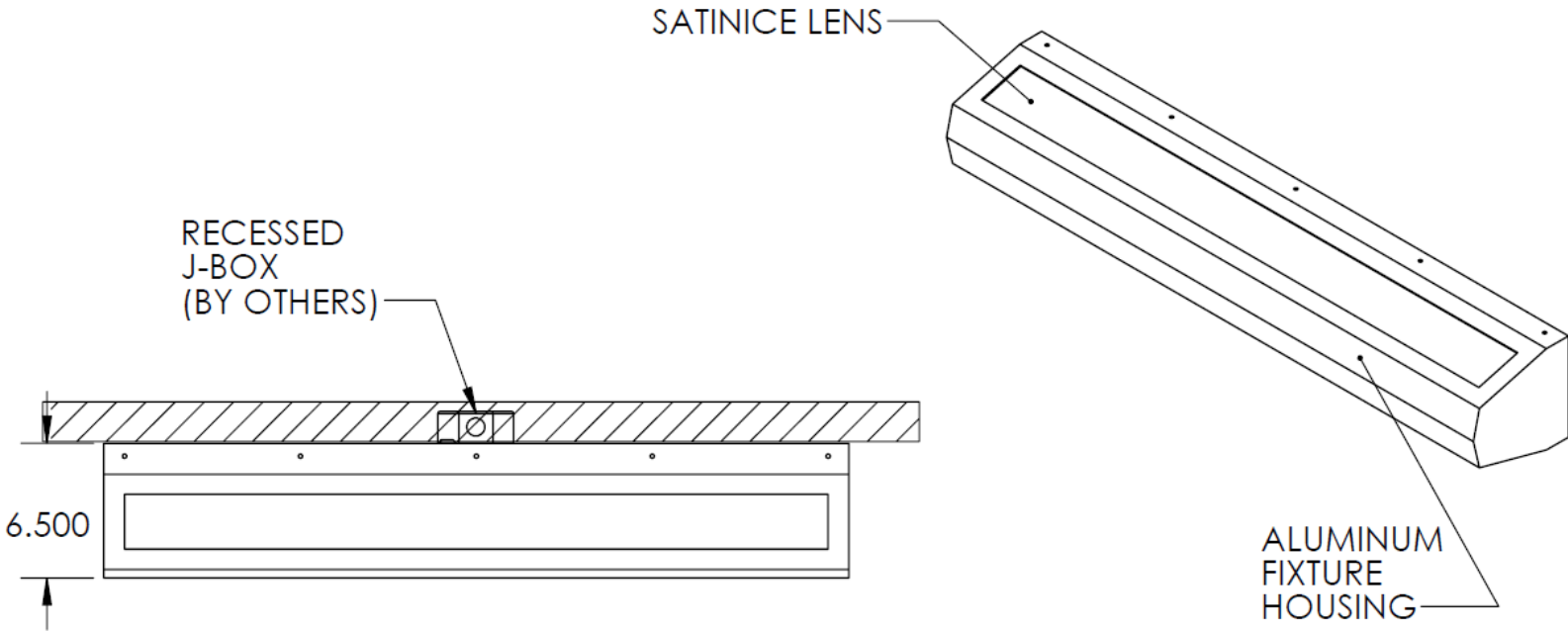
Std – Standard Offering

LEX- \_\_\_\_\_

**Customization Notes:**

▶▶▶ Info on this spec sheet will change without notice as product development is an ongoing process.

**Dimensions & Mounting** (measurements in inches; drawings are not to scale)



PRODUCT	DIM-A	DIM-B
LEX-24	24.00"	21.00"
LEX-36	36.00"	33.00"
LEX-48	48.00"	45.00"
LEX-60	60.00"	57.00"