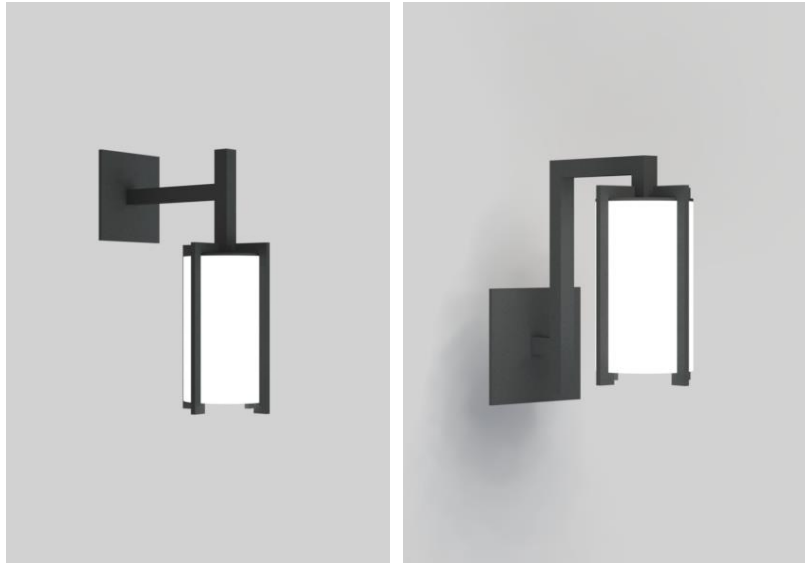


Date:

Type:

Project:



JUPITER WALL MOUNT

A cylindrical luminaire that consists of 4 vertical aluminum bars holding the opal lens with an open bottom. Gives downward illumination only. Over-all standard width is 5". Available in three luminaire heights. See the Pendant version under Pendant Luminaires. Designed for indoor application.

Name	Fixture Height	Lamping	Electrical	Mounting Options
JUPITER	I	8"		WM-ARM 1 to 4
	II	12"	GU10	120V
	III	16"		
				CM P AC
				Wall mounted, see Page 2 for details Surface ceiling mounted 24" sturdy pendant stem Aircraft cable, 48" standard length

Contact Factory for arm options and other suspension lengths

Lens	Light Pattern	Finishes
OPL	Opal lens (Std)	D
CPL	Clear lens with frosted top section	Down light (Std)
VNL	Vinyl, contact Solera for options	
		BL
		BZ
		WH
		SG
		BA4
		CC
		Black
		Bronze
		White
		Silver Grey
		Brushed Aluminum #4
		Custom Color

Contact factory for varying finishes.
[See finishes info on website](#)

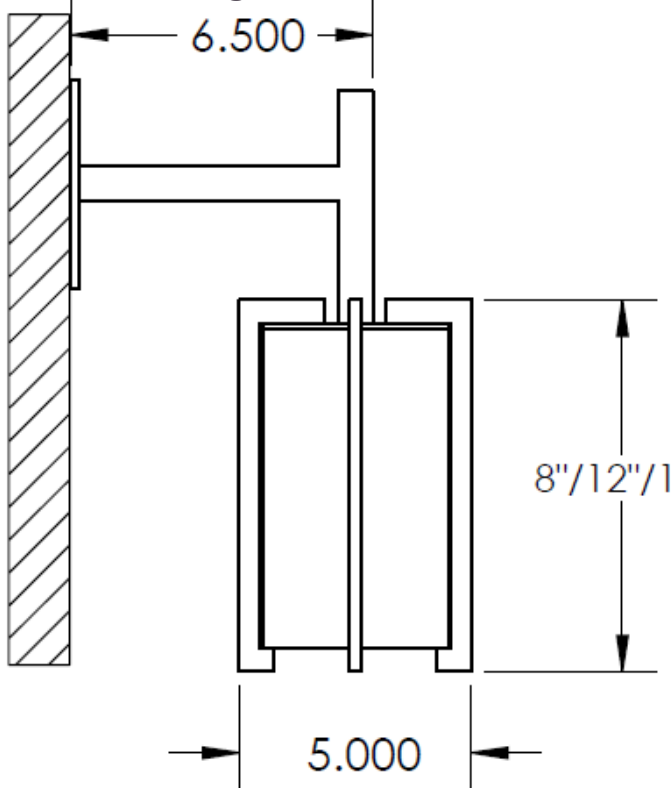
Std – Standard Offering

JUPITER- _____

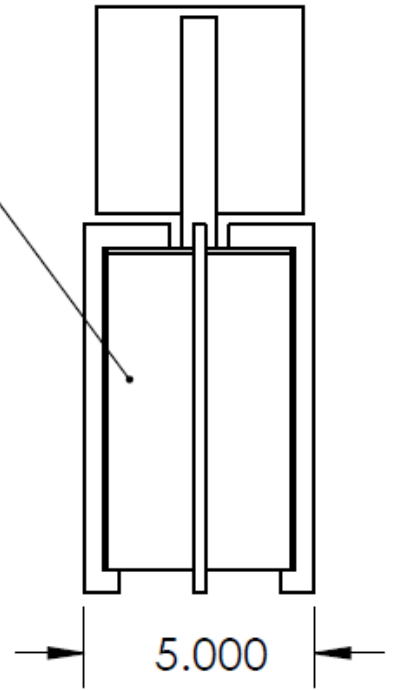
Customization Notes:

→ Info on this spec sheet will change without notice as product development is an ongoing process.

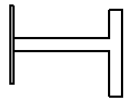
Dimensions & Mounting (drawings are not to scale; all dimensions in inches)



OPAL LENS



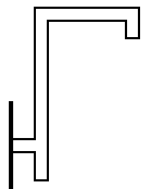
MOUNTING OPTIONS:



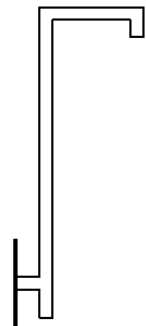
ARM-1
(H-5" L-6.5")



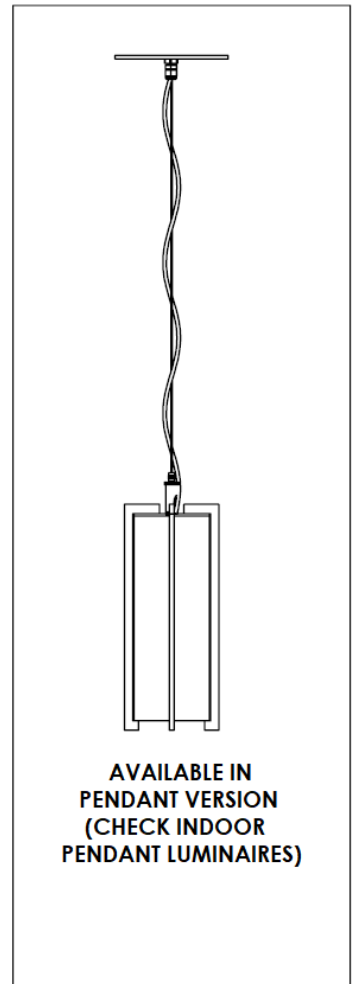
ARM-3
(H-14" L-6")



ARM-2
(H-10" L-6")



ARM-4
(H-18" L-6")



AVAILABLE IN
PENDANT VERSION
(CHECK INDOOR
PENDANT LUMINAIRES)