

Date:

Type:

Project:



JUN-16 PENDANT

A unique pendant luminaire with spun aluminum dome-shaped housing that holds a white bullet lens giving illumination directly downwards. Contact factory for varying pendant lengths. Check out the wall mount version under Exterior Luminaire.

Name	Size (Diameter)	Lamping	Lumens*	Color Temp	Electrical	Mounting Options
JUN-16	16"	18W	2937	3000K 3500K 4000K 5000K	UNV 120-277V HLV 347-480V	P 48" sturdy pendant stem AC 48" aircraft cable

Contact Factory for other lengths

Lens	Light Pattern	Options	Finishes
WBL	White bullet lens	D Down light (Std)	DM RB SV
		0-10V Dimming Remote driver Swivel Canopy	BL Black BZ Bronze WH White SG Silver Grey BA4 Brushed Aluminum #4 CC Custom Color

Contact factory for varying finishes.
[See finishes info on website](#)

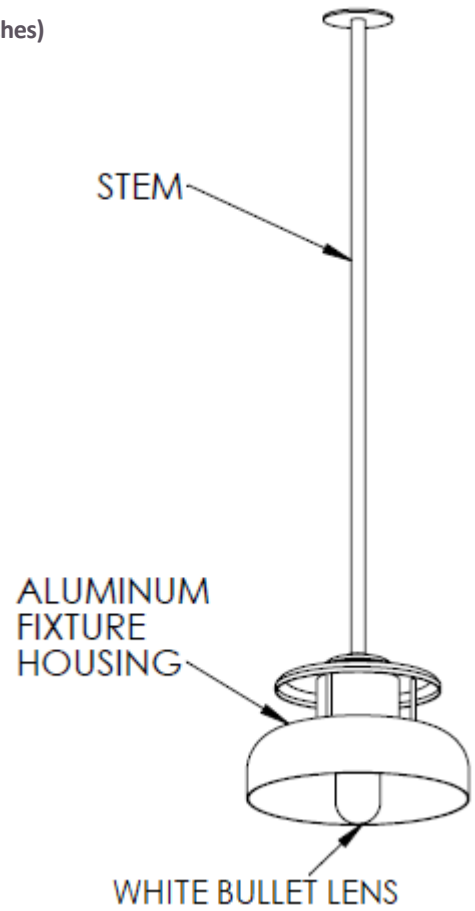
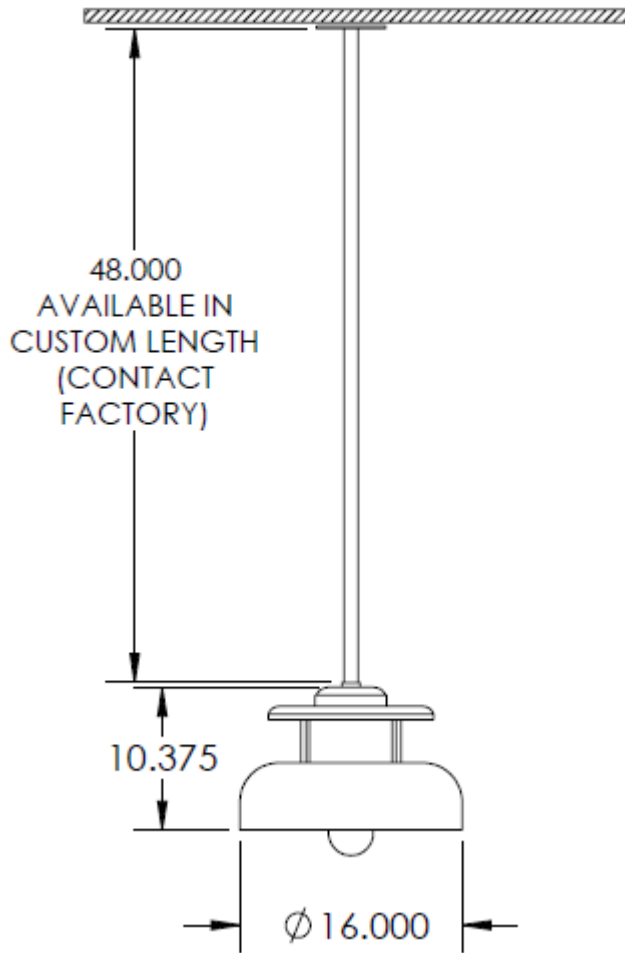
*Lumens are based on Wattage, Type V Distribution, and 5000K CCT
 *Specific IES Files available upon request
 Std – Standard Offering

JUN-16- _____

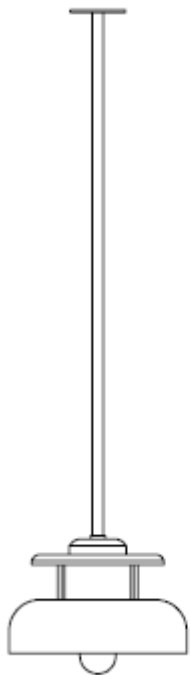
Customization Notes:

→ Info on this spec sheet will change without notice as product development is an ongoing process.

Dimensions & Mounting (drawings are not to scale; all dimensions in inches)



MOUNTING OPTIONS:



JUN-16-P



JUN-16-AC

