



Date
Quote #
Project Name
Type



## JAX - Wall Mount

### Description:

Constructed of aluminum, JAX is a compact wall mount with a sleek design. Opal polycarbonate lens on the bottom is standard. All external hardware is stainless-steel.

Name  - Engine  - Lumens  - CCT  - Electrical  - Mounting  - Lens  - Pattern  - Options  - Finish

Name	Light Engine	Source Lumens <sub>(LED)(5000K)</sub>	Color Temp	Electrical
JAX	20W LED (Max)	2628	3000K	UNV 120-277V
			3500K	HLV 347-480V
			4000K	
			5000K	

Contact for custom

Contact for custom

Contact for custom

Mounting		Lens		Light Pattern		Options		Finishes	
WM	Wall mount	OPL	Opal polycarbonate lens	D	Down light	DM	0-10V dimming	Standard	
						TP	Tamperproof hardware	BL	Black
						TS	Tamperproof screws	WH	White
						WL	Wet location	SG	Silver Grey
								BZ	Bronze
								Custom	
								CC	Custom Color
									See website for custom colors. Contact factory for physical samples.

- Lumens are based on max wattage & 5000K CCT
- IES files available upon request
- Std - Standard Offering

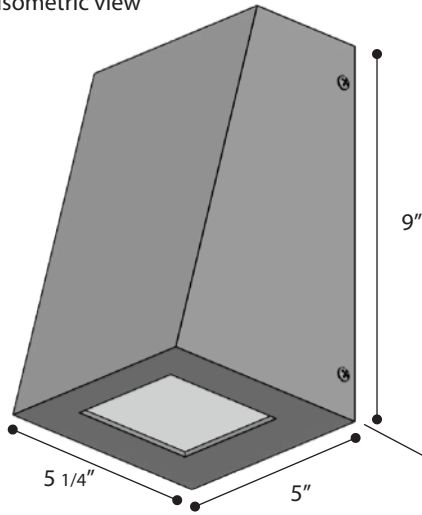




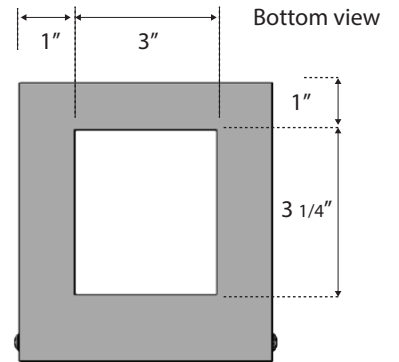
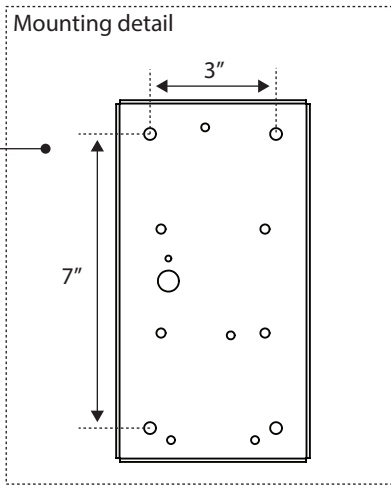
**Dimensions & Mounting:**

Please note that drawings are not to scale.

Isometric view



Mounting detail



**Listing:**

Complies to CSA and UL standards.

**Polar Graph:**

