



Date
Quote #
Project Name
Type



GRW - Bollard

Description:

GRW is a bollard that sits low to the ground adding a unique effect to pathways. Available as a flat or dome top design.

Name - Engine - Lumens - CCT - Electrical - Mounting - Lens - Pattern - Options - Finish

Name	Light Engine	Source Lumens _{(LED)(5000K)}	Color Temp	Electrical
GRW	42 LED (Max)	5446	3000K	UNV 120-277V
			3500K	HLV 347-480V
			4000K	
			5000K	

Mounting		Lens		Light Pattern	Options	Finishes		
ABT Anchors, bolts and template	CPL Clear polycarbonate lens (Std)	Type V(Std)	EM Emergency battery	DOT Dome top	SG Silver Grey	BZ Bronze	Standard	
							BL Black	
	OPL Opal polycarbonate lens	180 degrees					ELB Electronic ballast (HID)	WH White
								CC Custom Color
	FLT Flat top	TS Tamperproof screws					TP Tamperproof hardware	See website for custom colors. Contact factory for physical samples.

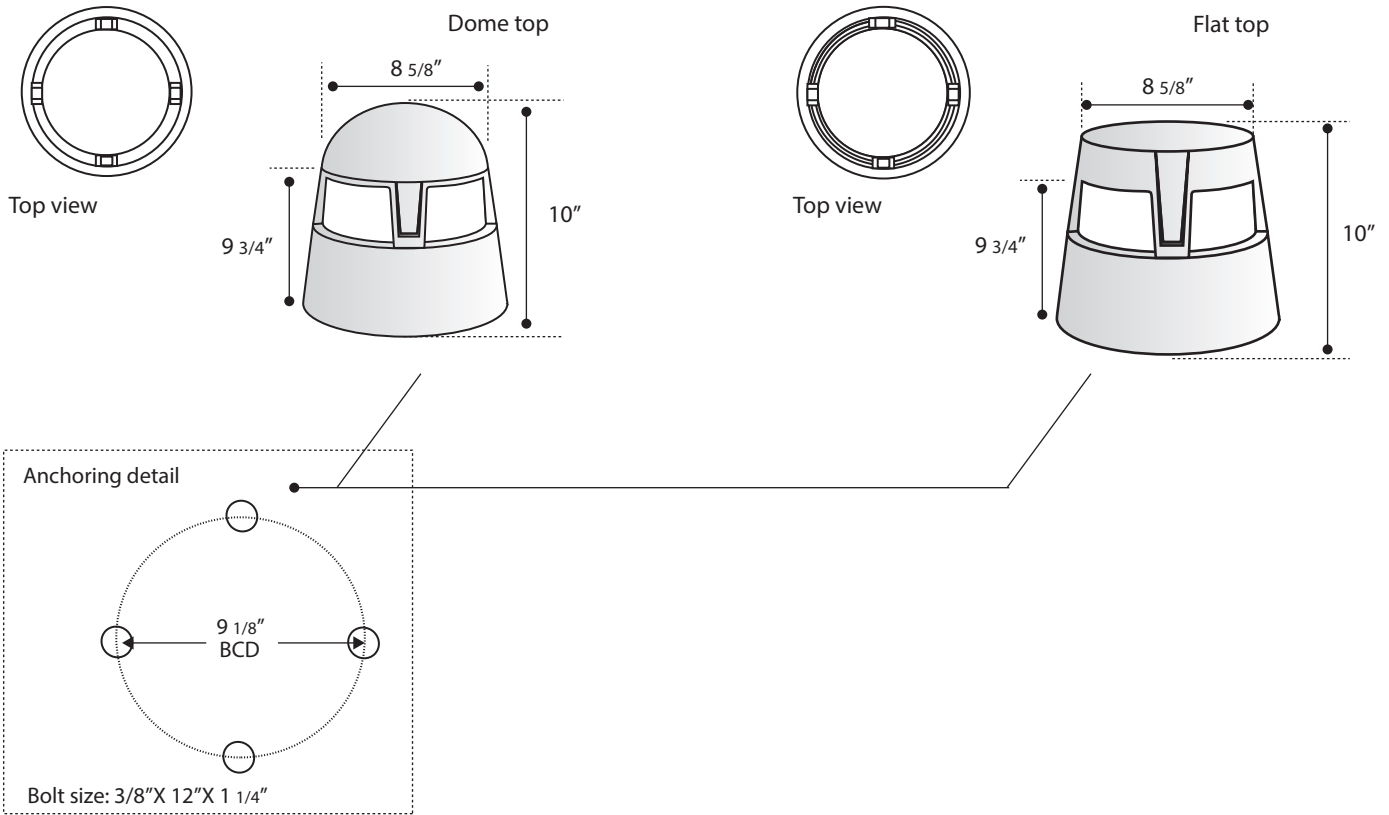
- Lumens are based on max wattage & 5000K CCT
- IES files available upon request
- Std - Standard Offering





Dimensions & Mounting:

Please note that drawings are not to scale.



Listing:

Complies to CSA and UL standards.

Polar Graph:

