

Date:

Type:

Project:

ERB-BLD BOLLARD

The bollard version of the ERB Post-top. Made from aluminum extrusion with optical assembly that features a high impact opal diffuser confined by 3 vertical bars emitting a subtle glow. Standard bollard height is 42" high.



| Name | Lamping* | Lumens* | Color Temp | Electrical | | Mounting | |
|----------------------------|----------------|---------|----------------------------------|------------------------------------|----------------------|----------|----------------------------|
| ERB-BLD | 48 W LED (max) | 6240 | 5000K 4000K 3500K 3000K | UNV HLV | 120-277V 347-480V | ABT | Anchors, bolts, & template |
| Contact for other wattages | | | | Contact for other mounting options | | | |

| Lens | | Light Pattern | | Options | | Finishes | |
|--|-----------------|---------------|---------------------------|--------------------------|---|----------------------------|---|
| OL | Opal lens (Std) | TY5 | Type V Distribution (Std) | TP/TS DM GFR PC | Tamperproof hardware & screws 0-10V dimming Ground fault receptacle Button photocell, Voltage specific | BL WH SG BZ CC | Black White Silver Grey Bronze Custom Color |
| See finishes info on website | | | | | | | |

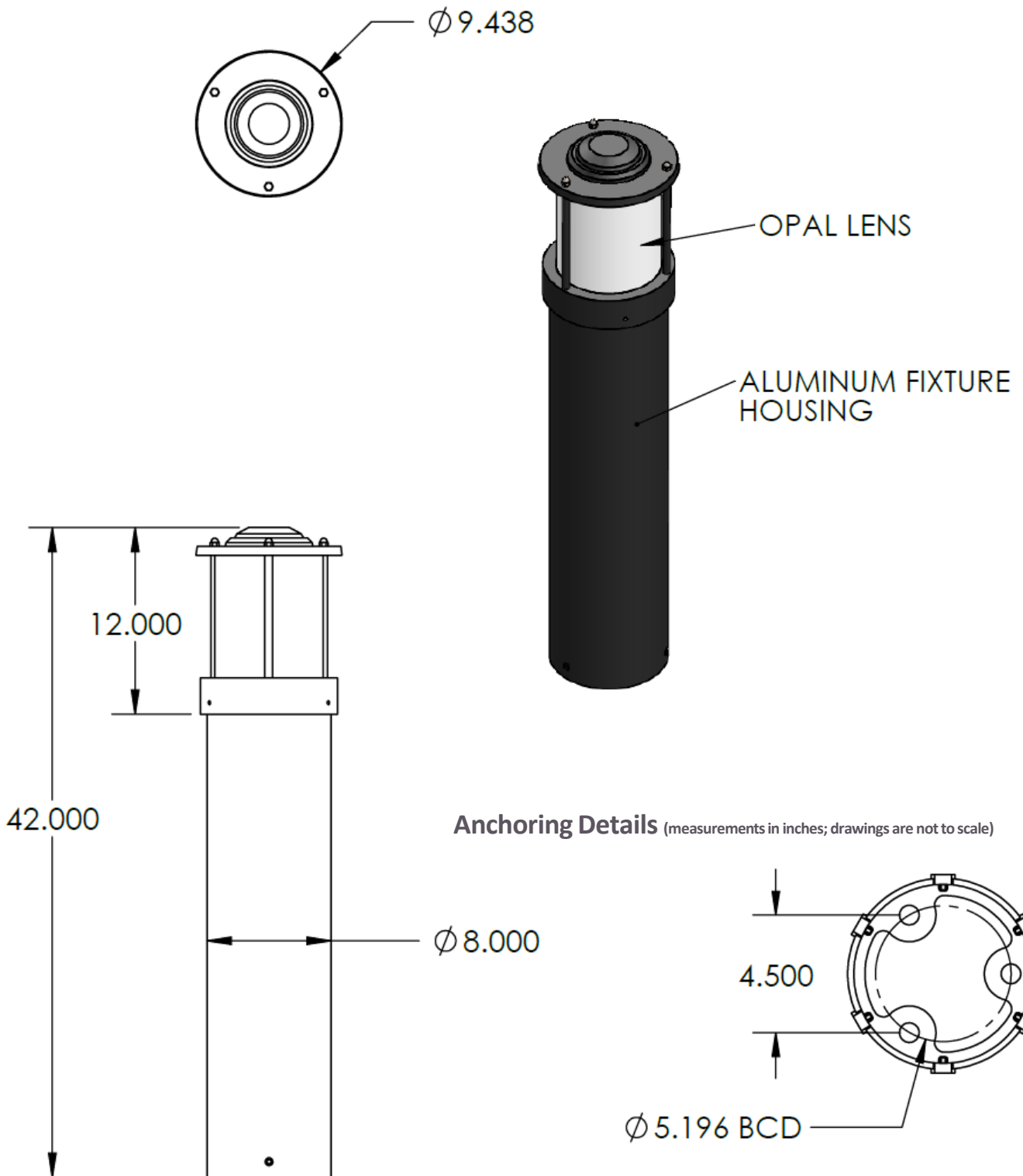
*Lumens are based on Max Wattage and 5000K CCT
 *Specific IES Files available upon request
 Std – Standard Offering

ERB-BLD- _____ - _____ - _____ - _____ - _____ - _____ - _____ - _____

Customization Notes:

▶▶▶ Info on this spec sheet will change without notice as product development is an ongoing process.

Dimensions & Mounting (measurements in inches; drawings are not to scale)



Anchoring Details (measurements in inches; drawings are not to scale)

Anchorbolt Size: 1/2" X 12" X 1-3/8"

- Hot dipped Galvanized anchor bolts
- Galvanized steel hex nuts
- Galvanized steel flat washers