



Date
Quote #
Project Name
Type



ERB - Post Top

Description:

Featuring a flat disc hood and louvered optical assembly. Window above provides subtle glow of light for visual interest. All external hardware is made of stainless-steel.

Name - Engine - Lumens - CCT - Electrical - Mounting - Lens - Pattern - Options - Finish

Name	Light Engine	Source Lumens(LED)	Color Temp	Electrical
ERB	60W LED (Max)	7800	3000K	UNV 120-277V
			3500K	HLV 347-480V
			4000K	
			5000K	

Contact for custom

Contact for custom

Contact for custom

Mounting		Lens		Light Pattern		Options		Finishes	
PT3	Post top slips over 3" dia pole	CPL	Clear lens (Std)	TY5	Type V (Std)	SD	Step dimming	Standard	
						MS	Motion sensor	BL	Black
PT4	Post top slips over 4" dia pole			TY3	Type III	PC	Button photocell	WH	White
						SF	Single fuse	SG	Silver Grey
WM	Wall mount					TCO	Trespass cut off	BZ	Bronze
						TP	Tamperproof hardware	Custom	
						TS	Tamperproof screws	CC	Custom Color
						DR	Decorative rings (exterior)	See website for custom colors. Contact factory for physical samples.	
					LVR	Internal louvers			

- Lumens are based on max wattage & 5000K CCT
- IES files available upon request
- Std - Standard Offering

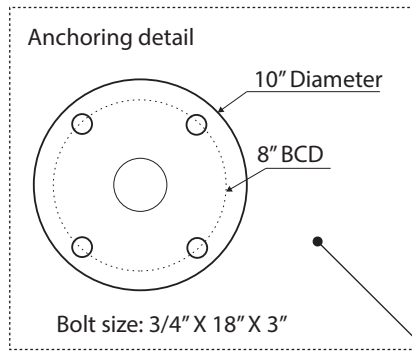
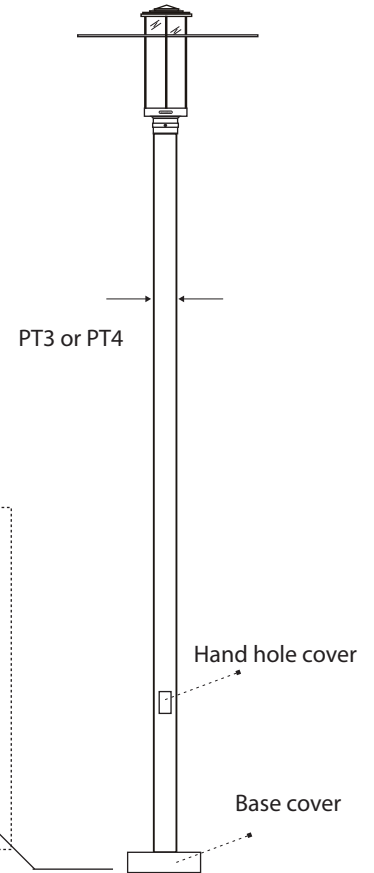
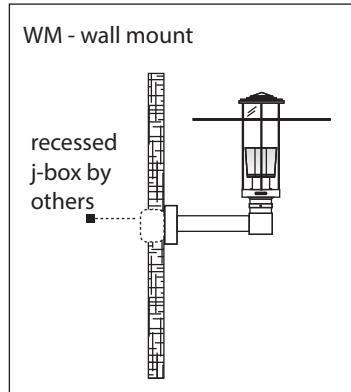
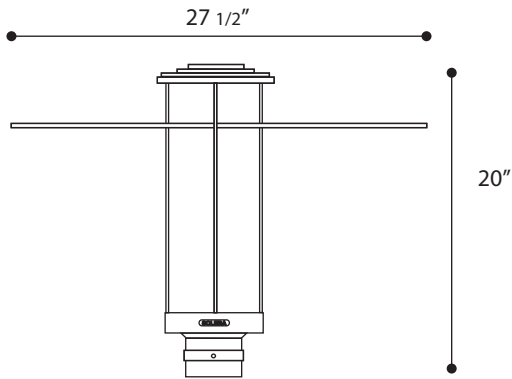




Dimensions & Mounting:

Please note that drawings are not to scale.

Side view



Listing:

Complies to CSA and UL standards.

Polar Graph:

