

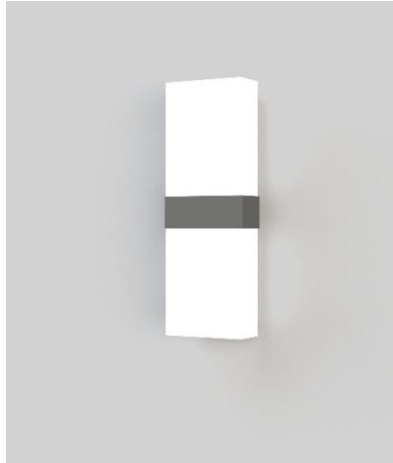
Date:

Type:

Project:

DWI WALL MOUNT

A wall mount with clean, sleek look & sharp corners. Luminaire comes in 3 different sizes. Several pattern designs available to choose from. Finishing & lens color are customizable. Wet location is an option.



Name	Lamping		Lumens*	Color Temp	Electrical		Mounting		
DWI	24	24"	24W LED	4224	5000K	UNV	120-277V	WM	Wall mounted
	36	36"	36W LED	6336	4000K	HLV	347-480V		
	48	48"	48W LED	8448	3500K 3000K				

Contact for other wattages & outputs

Lens		Light Distribution		Options			Finishes	
OAL	Opal Acrylic Lens (Std)	FL	Front light glow	DM	0-10V Dimming	BL	Black	
				EM	Emergency battery	WH	White	
				RB	Remote driver	SG	Silver Grey	
				TP	Tamperproof hardware & screws	BZ	Bronze	
				RGBW	Programmable colored LED			
				PD	Pattern design, middle	CC	Custom Color	
				2PD	Two pattern designs, top & bottom			
				WL	Wet location			

Contact for other lens colors [See finishes info on website](#)

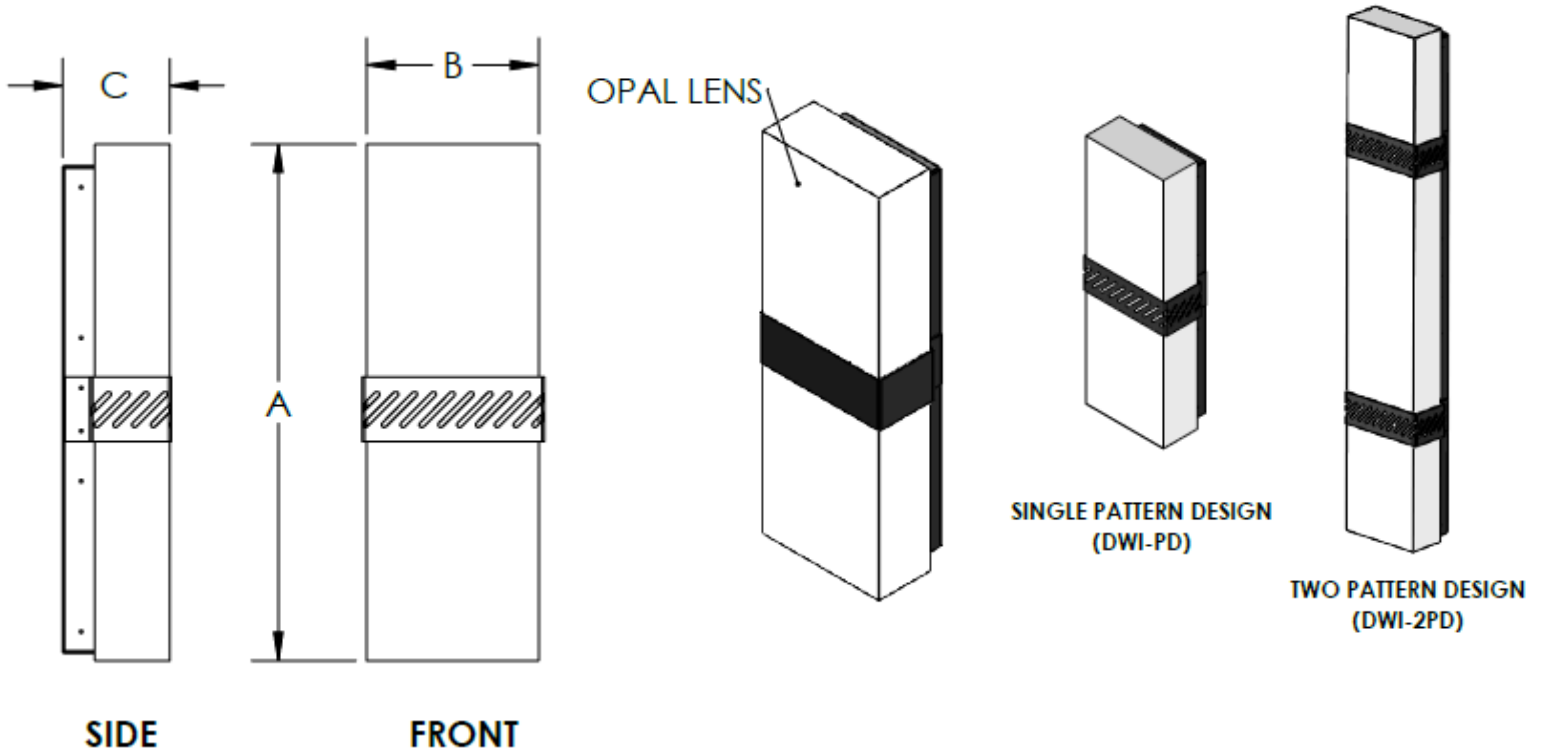
*General lumens are based on Wattage and 5000K CCT
 *Specific IES Files available upon request
 Std – Standard Offering

DWI- _____

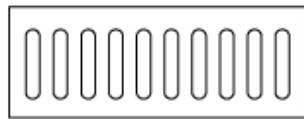
Customization Notes:

▶▶▶ Info on this spec sheet will change without notice as product development is an ongoing process.

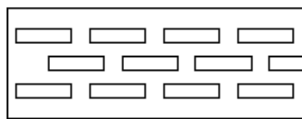
Dimensions & Mounting (measurements in inches; drawings are not to scale)



PRODUCT	DIM "A"	DIM "B"	DIM "C"	DIM "D"
DWI-24	24.00"	8.00"	5.00"	21.50"
DWI-36	36.00"	8.00"	5.00"	33.50"
DWI-48	48.00"	8.00"	5.00"	45.30"



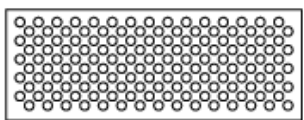
PATTERN: 1



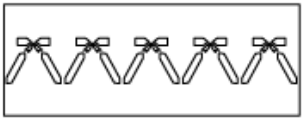
PATTERN: 2



PATTERN: 3



PATTERN: 4



PATTERN: 5

CONTACT FACTORY FOR OTHER AVAILABLE PATTERN OPTIONS

MOUNTING DETAILS:

