

Date:

Type:

Project:



### DONDAY PENDANT

High quality pendant composed of circular aluminum frame holding a longer inner shade and a shorter outer ring band in choice of fabric or vinyl materials. The outer and inner shades have bottom trim rings in standard white color. Fabric or Vinyl Finishes are offered in monotone colors. Contact Solera for 2-tone and other color options available. Standard height is 28”.

Name	Diameter (inches)		Lamping	Fixture Lumens*	Color Temp	Electrical			Mounting
	Inner	Outer							
DONDAY	14”	18”	24W LED	3984	5000K	UNV	120-277V	P24	Sturdy 24” pendant stem from ceiling canopy Single 48” aircraft cable from ceiling canopy
	18”	22”	36W LED	5976	4000K			AC48	
	22”	26”	60W LED	9960	3500K			3AC48-TR	
					3000K	HLV	347-480V	3AC48-SPD	3 48” aircraft cables connect to a hub

Contact Solera for other dimensions & wattages      Specify other

Bottom Lens		Optics		Options		Trim Ring & Color Finishes	
OAL	Opal acrylic lens (Std)	EG	Encompassing glow	DM	0-10V Dimming	BL	Minitex black
FL	Frosted lens			DM1	1% Dimming	BZ	Minitex bronze
K12	Prismatic lens			2CC	Two circuit wiring	WH	Minitex white (Std, for trim rings)
CO	Colored lens			RGBW	Color changing LEDs	SG	Minitex silver gray
				RB	Remote ballast	VINYL	Vinyl, wood grain, laminate
				EM	Emergency Battery	FAB	Off-white monotone fabric (Std)
				BA4-TRIM	Brushed Aluminum #4, option for trim rings	CC	Custom color, contact Solera

Contact Solera for other lens options      [See finishes page for custom colors](#)  
 \*Lumens are based on maximum wattage and 5000K CCT      Contact Solera for other custom finish  
 IES Files available upon request

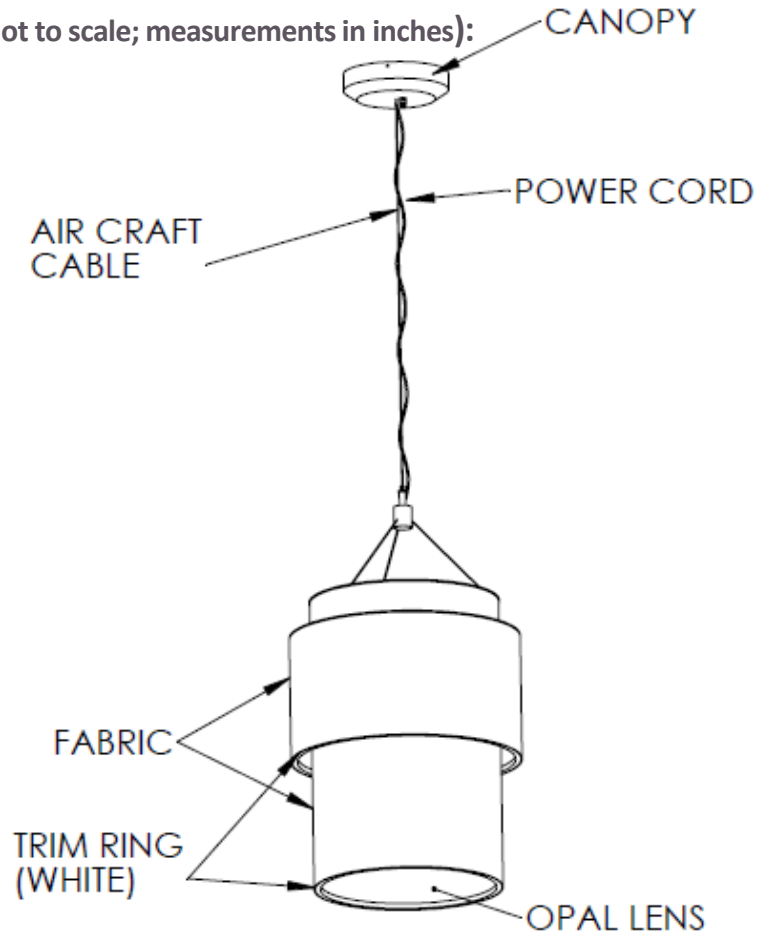
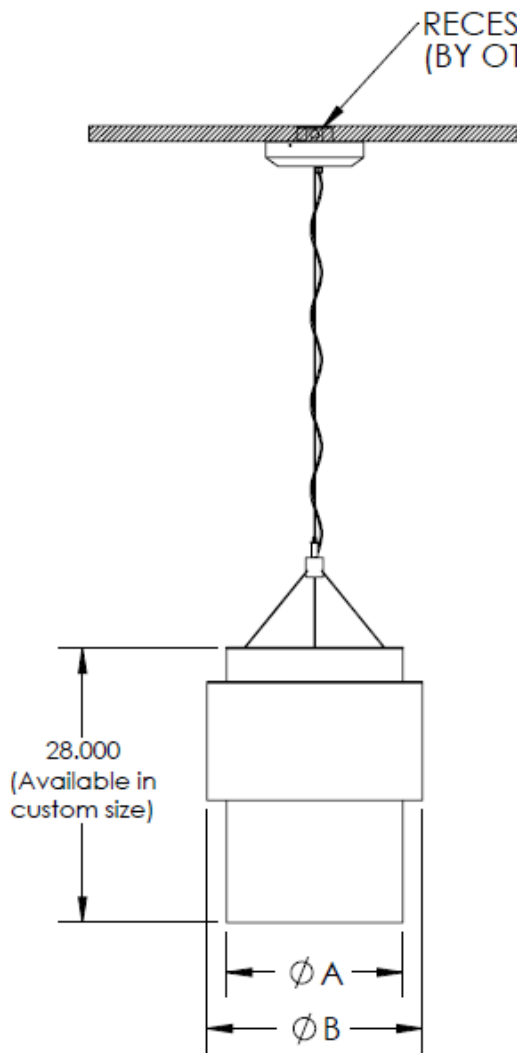
Std – standard offering

DONDAY- \_\_\_\_\_

**Customization Notes:**

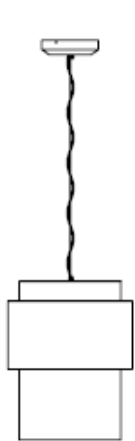
▶▶▶ Info on this spec sheet will change without notice as product development is an ongoing process.

**Dimensions & Mounting Options (drawings are not to scale; measurements in inches):**



PRODUCT	DIM "A"	DIM "B"
14/18	14.00	18.00
18/22	18.00	22.00
22/26	22.00	26.00

**MOUNTING OPTIONS:**



AC



3AC-TR



P



3AC-SPD