



Date
Quote #
Project Name
Type



DOMI - Wall Recessed

Description:

DOMI is constructed of cast aluminum. Compact and decorative design, ideal for low mounting areas. All external hardware is stainless steel.

Name - Engine - Lumens - CCT - Electrical - Mounting - Lens - Pattern - Options - Finish

Name	Light Engine	Source Lumens _{(LED)(5000K)}	Color Temp	Electrical
DOMI	3W LED (Max)	352	3000K	UNV 120-277V
			3500K	HLV 347-480V
			4000K	
			5000K	

Mounting		Lens		Light Pattern		Options		Finishes	
R	Recessed in dry wall	CPL	Clear polycarbonate lens (Std)	FT	Forward throw	SD	Step dimming	Standard	
RTC	Recessed in concrete	FG	Frosted glass lens			MS	Motion sensor	BL	Black
						SF	Single fuse	WH	White
						TS	Tamperproof screws	SG	Silver Grey
						TP	Tamperproof hardware	BZ	Bronze
						EM	Emergency battery	CC	Custom Color
		RGBW	Programmable color changing LEDs					See website for custom colors. Contact factory for physical samples.	

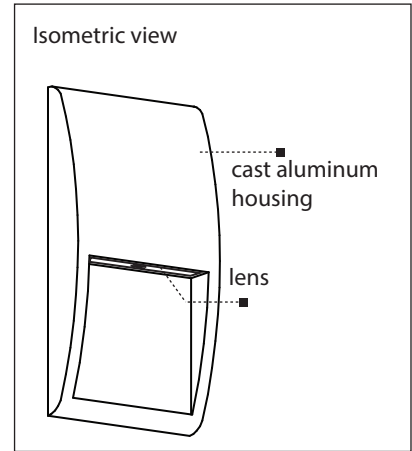
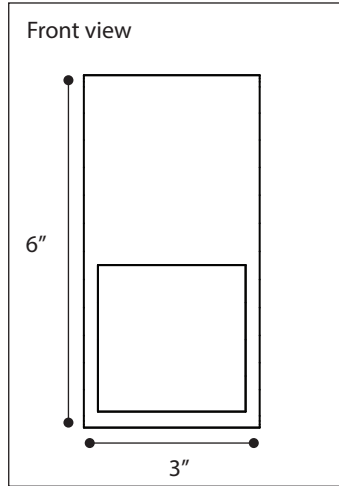
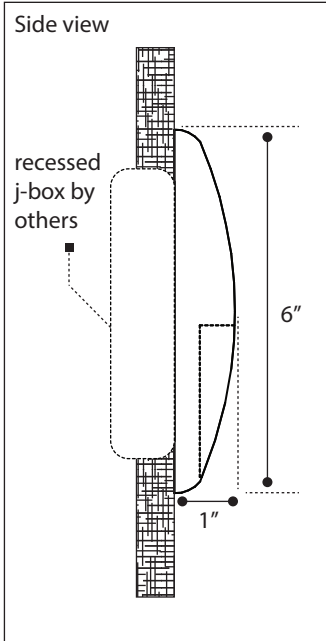
- Lumens are based on max wattage & 5000K CCT
- IES files available upon request
- Std - Standard Offering





Dimensions & Mounting:

Please note that drawings are not to scale.



Listing:

Complies to CSA and UL standards.

Polar Graph:

