



| |
|--------------|
| Date |
| Quote # |
| Project Name |
| Type |



DIP - Pendant

Description:

Housing consists of a conical opal acrylic lens which connects via an aluminum stem (BA4) to the canopy .
 All external hardware is stainless steel.

Name - Engine - Lumens - CCT - Electrical - Mounting - Lens - Pattern - Options - Finish

| Name | Light Engine | Source Lumens _{(LED)(5000K)} | Color Temp | Electrical |
|------|--------------------|---------------------------------------|--------------------|--------------|
| DIP | 42W LED (Max) | 7040 | 2700K | UNV 120-277V |
| | | | 3000K | HLV 347-480V |
| | | | 3500K | |
| | | | 4000K | |
| | | | 5000K | |
| | Contact for custom | Contact for custom | Contact for custom | |

| Mounting | Lens | Light Pattern | Options | Finishes |
|-------------------------------|--------------------------------|-----------------------|---------------------|---|
| P36 36" pendant stem (Std) | OAL Opal acrylic lens (Std) | D Down light (Std) | DM 0-10V dimming | Only stem and canopy Standard |
| | | | DM1 1% dimming | BL Black |
| | RB Remote ballast/driver | | WH White | |
| | SF Single fuse | | SG Silver Grey | |
| | ABL Alabaster lens | | | BZ Bronze |
| | | | | Custom |
| | | | | CC Custom Color |
| | | | | See website for custom colors. Contact factory for physical samples. |

- Lumens are based on max wattage & 5000K CCT
- IES files available upon request
- Std - Standard Offering

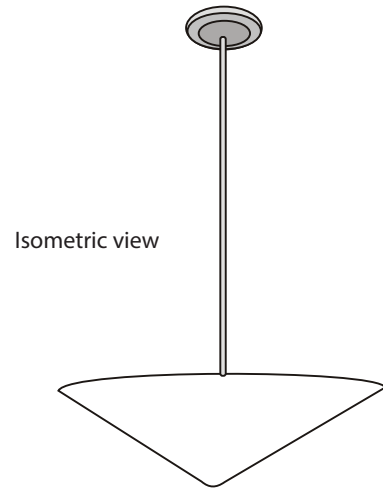
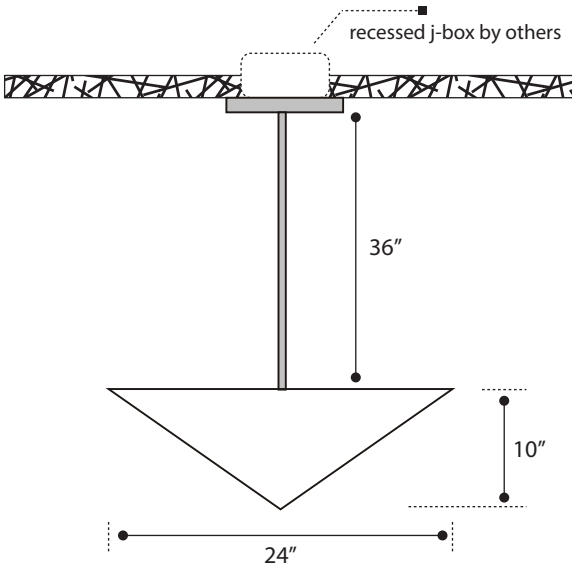




Dimensions & Mounting:

Please note that drawings are not to scale.

P36



Listing:

Complies to CSA and UL standards.

Polar Graph:

