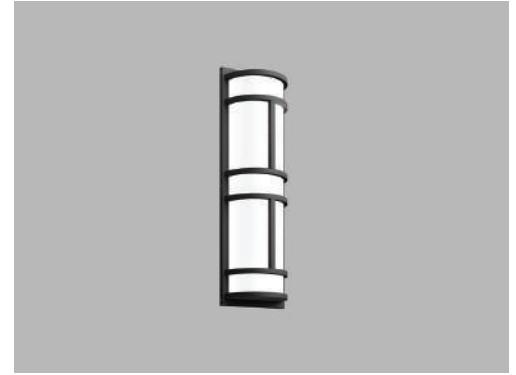




Date
Quote #
Project Name
Type



## DGW - Wall Mount

### Description:

Fabricated aluminum housing construction with silicone gasket for weather seal. Several aluminum bar designs available. Contact for custom.

Name  - Engine  - Lumens  - CCT  - Electrical  - Mounting  - Lens  - Pattern  - Options  - Finish

Name	Light Engine	Source Lumens <sub>(LED)(5000K)</sub>	Color Temp	Electrical
DGW-2C	12"X38" 60 LED (Max)	10560 (3G Version)	2700K	UNV 120-277V
DGW-2UD			3000K	HLV 347-480V
DGW-3G			3500K	
DGW-7G			4000K	
DGW-7SPL			5000K	
DGW-4G-PERF				
DGW-PERF				
Contact for custom designs	Contact for custom	Contact for custom	Contact for custom	

Mounting	Lens	Light Pattern	Options	Finishes
WM Wall mount	OAL Opal acrylic lens (Std)	UDF Up, down & front light (std)	DM 0-10V dimming	Black
	ABL Alabaster lens	F Front light	PC Button photocell	BL Black
			WL Wet location	WH White
			SF Single fuse	SG Silver Grey
			EM Emergency battery	BZ Bronze
			RB Remote ballast/driver	Custom
			TP Tamperproof hardware	CC Custom Color
			TS Tamperproof screws	See website for custom colors. Contact factory for physical samples.
			RGBW Programmable color changing LEDs	

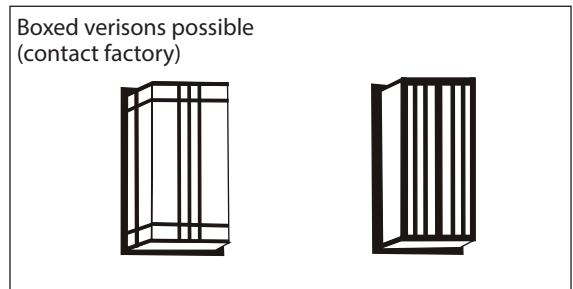
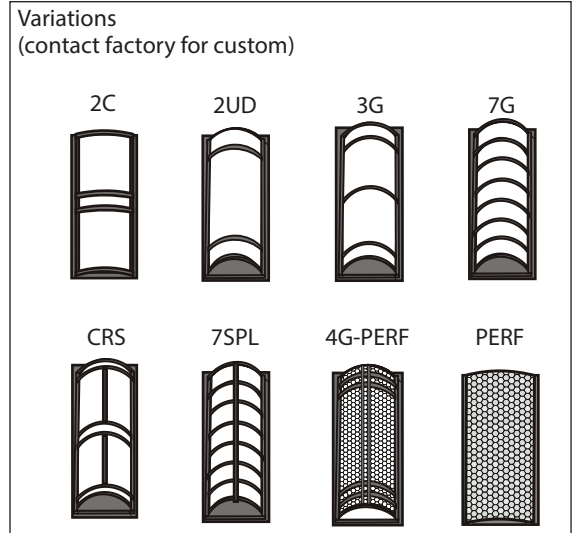
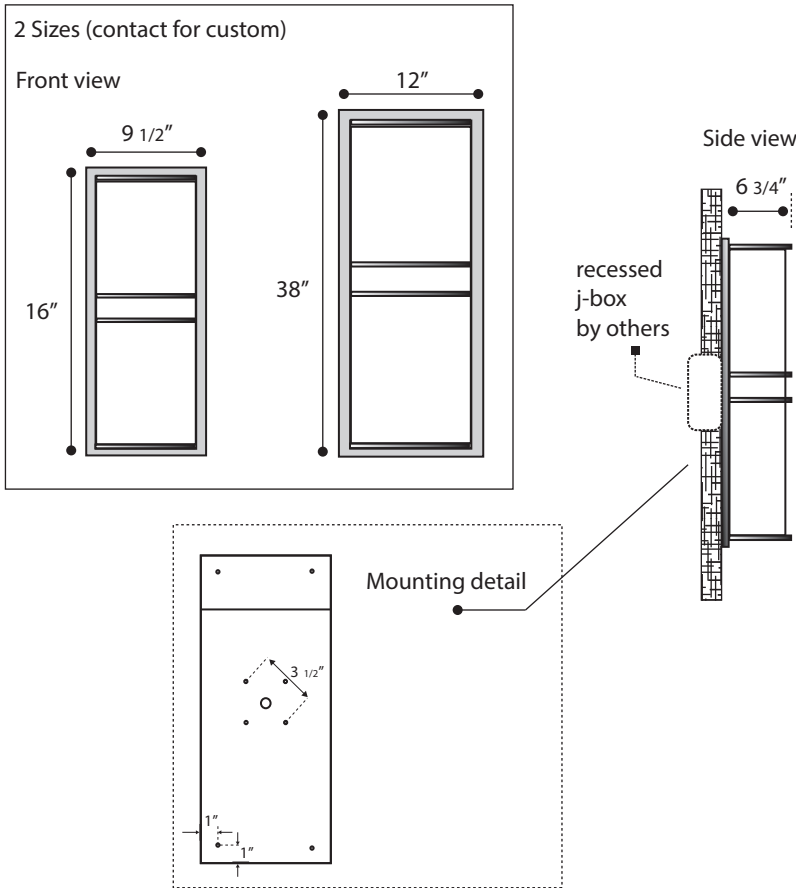
- Lumens are based on max wattage & 5000K CCT
- IES files available upon request
- Std - Standard Offering





**Dimensions & Mounting:**

Please note that drawings are not to scale.



**Listing:**

Complies to CSA and UL standards.

**Polar Graph:**

