



Date
Quote #
Project Name
Type



DGR-PT - Post Top

Description:

DGR is a lantern series consisting of bollards, post tops and wall mounts. Its contemporary design makes it ideal for pedestrian walkways.

Name - Engine - Lumens - CCT - Electrical - Mounting - Lens - Pattern - Options - Finish

Name	Light Engine	Source Lumens _{(LED)(5000K)}	Color Temp	Electrical
DGR-PT	60 LED (Max)	7800	3000K	UNV 120-277V
			3500K	HLV 347-480V
			4000K	
			5000K	
Contact for custom		Contact for custom	Contact for custom	

Mounting		Lens		Light Pattern		Options		Finishes	
PT3	Post top slips over 3" dia pole	OAL	Opal acrylic lens (Std)	TY5	Type V(Std)	SD	Step dimming	Standard	
								BL	Black
PT4	Post top slips over 4" dia pole			TY3	Type III	MS	Motion sensor	WH	White
								TP	Tamperproof hardware
						TS	Tamperproof screws	BZ	Bronze
						PC	Button photocell	Custom	
						SF	Single fuse	CC	Custom Color
						GFR	Ground fault receptacle	See website for custom colors. Contact factory for physical samples.	
	ELB	Electronic HID ballast							
	TCO	Trespass cut off							

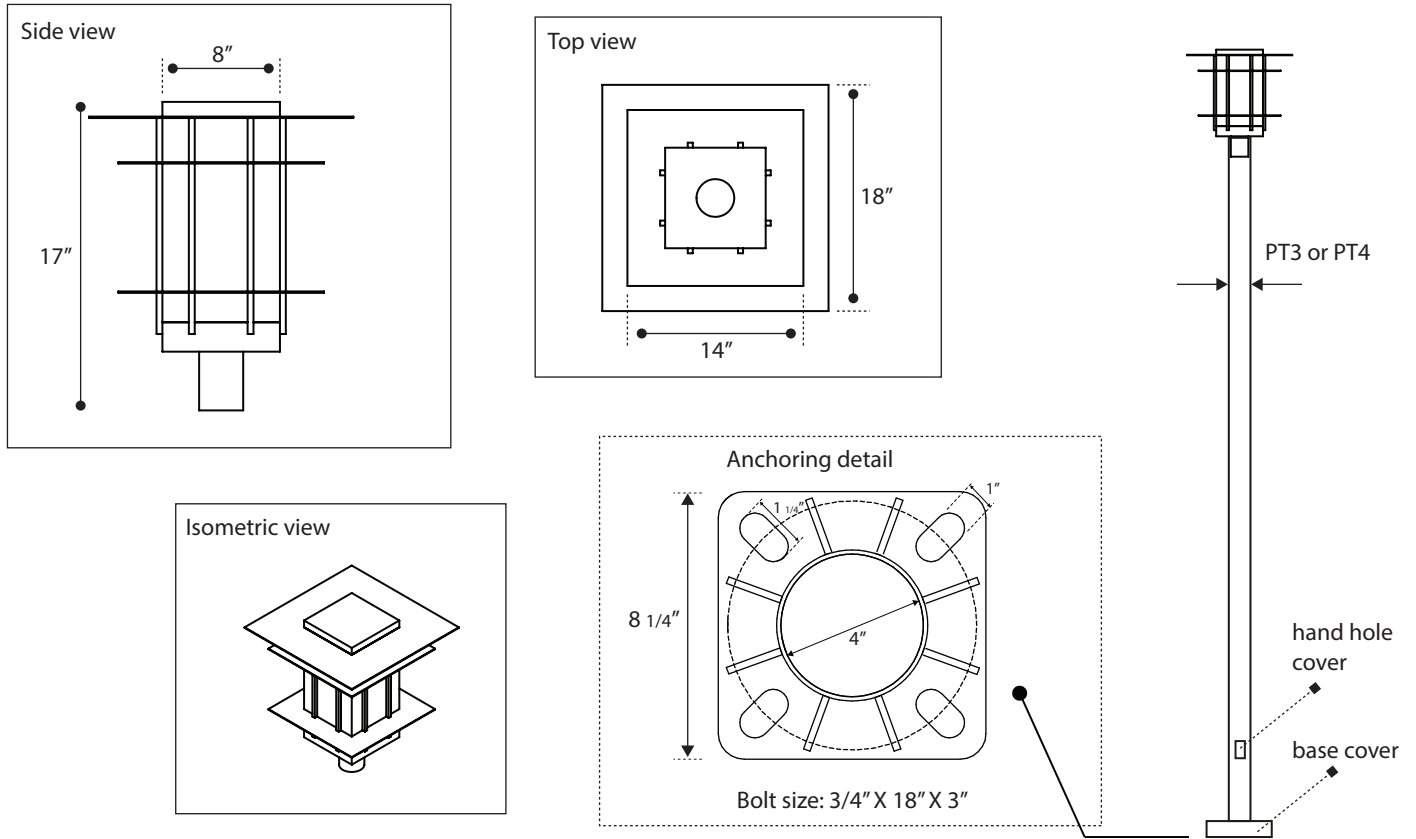
- Lumens are based on max wattage & 5000K CCT
- IES files available upon request
- Std - Standard Offering





Dimensions & Mounting:

Please note that drawings are not to scale.



Listing:

Complies to CSA and UL standards.

Polar Graph:

