

DELTA RAIL

**AN INNOVATIVE POOL
LIGHTING SYSTEM**

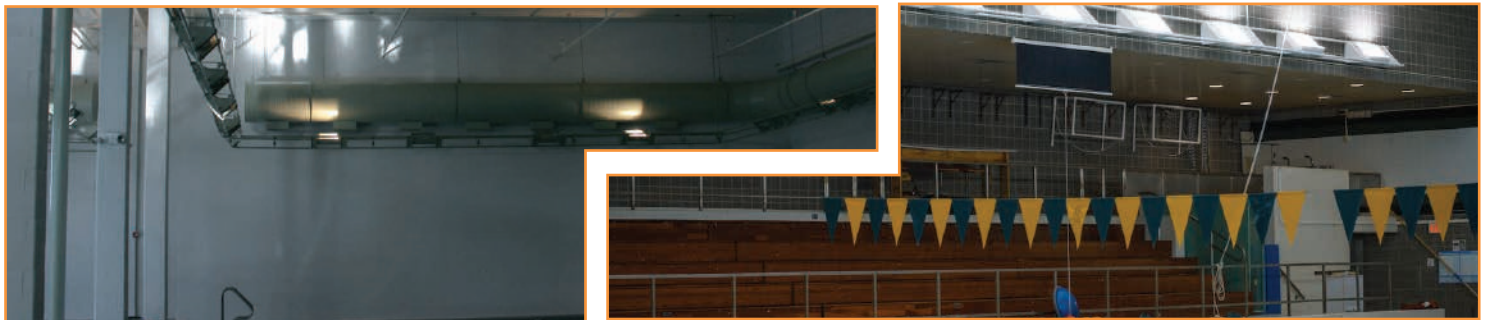
WWW.SOLERACORP.COM

Custom designed to the specific dimensions of the pool area

Solera has been manufacturing the Delta Rail System for over two decades. Initially, with BIAX and HID lamping modules. Our latest version, featuring the ARROW-II luminaire, includes a new board design that improves the overall efficiency of the system.

This versatile system can be specified for all types of pools such as recreational, NCAA and Olympic. The lamping module is completely customizable to meet the foot candle requirements of your project. Every system is capable of incorporating angular runs, and is designed to the specific dimensions of the space.

Aluminum housing construction along with the schedule 40 piping, increases the system's durability, in-addition to reducing ceiling load. A standard system is suspended with aircraft cables to the ceiling. However, the rails can be secured to the surrounding walls of the pool if desired.



Highlights of the system



LAMP COMPARTMENT

Lamp compartments are factory secured to a predetermined angle to ensure consistent aiming, as well as the prevention of non alignment during maintenance. The 6mm thick lens is silicone sealed to the door frame to prevent ingress of dirt and moisture. The luminaire comes with a fin design on the back to dissipate heat.

JOINERS

Each fixture is provided with a structural joiner bridge. Also, electrical joiners are provided at each connection point. Completely, plug & play once it reaches the field.

FINISH

Improve the longevity of the Delta Rail system with a natatorium finish. Our Zinc Epoxy Primer resists most salts & alkalis. Thereby, making the system splash proof and corrosion resistant.

OPTICS

Optimized board and lens combination to provide maximum efficiency and uniformity on the reflecting surface. Linear prismatic lens is standard.

DRIVER/BALLAST

Integral driver/ballast is supplied as a power pack with a handle, along with quick connection plugs for easy maintenance.

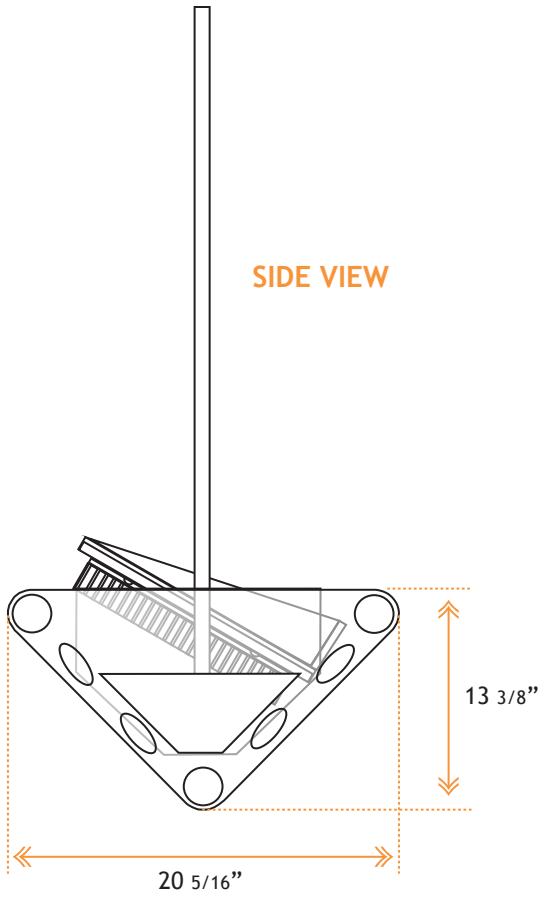
BULKHEADS

The decorative bulkheads provide mounting points for the stems or aircraft cables at a predetermined location. Ensuring a balanced system.

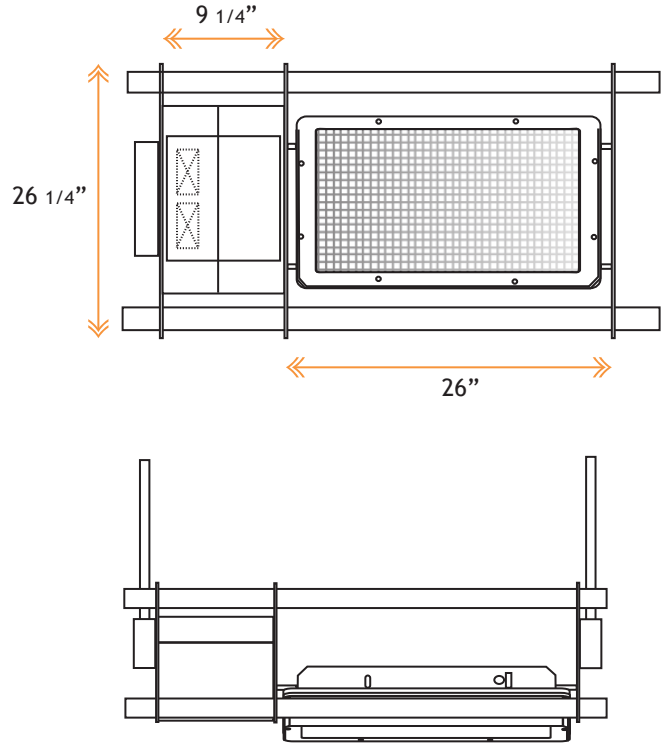
SIGNAGE

Signage or designer modules can be incorporated into the rail system. Contact factory for more info.

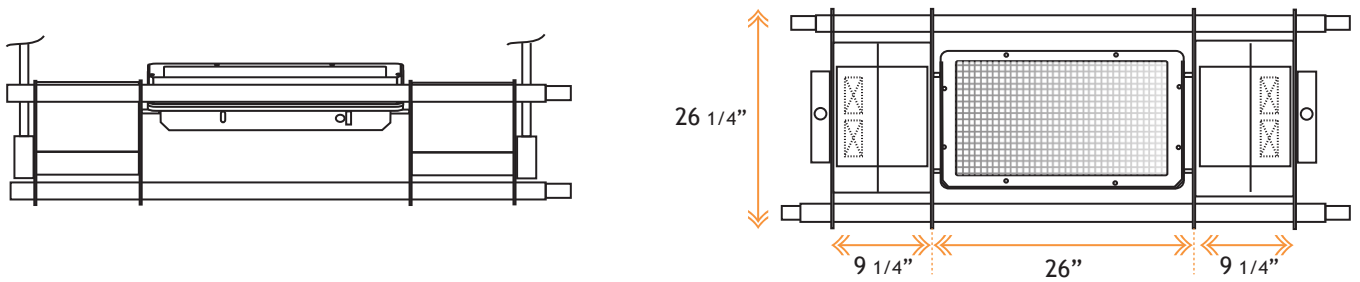
Dimensions



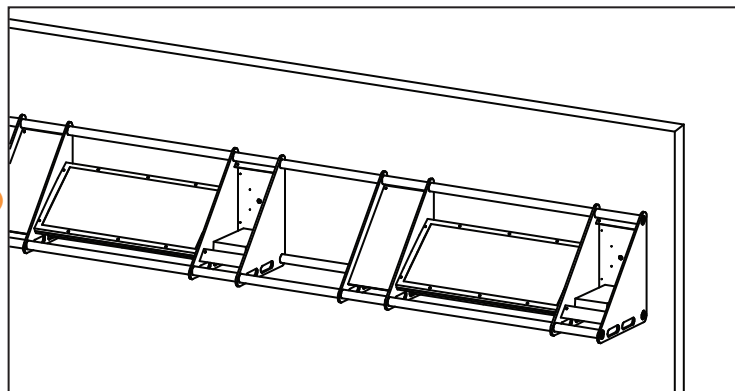
STANDARD



EXTRA POWER and/or EMERGENCY BATTERY VERSION



WALL MOUNT (Contact Factory)



Specs



LAMPING

Solera's latest delta rail variation features a new board design.

192 LED/fixture.

High powered CREE LEDs with 50,000 hrs rated lamp life @70% lumen maintenance. LEDs can be driven at different currents (350MA, 525MA, 700MA, 750MA, etc.) to meet the lumen requirements of the project.

Example:

192 LED driven at 700MA will provide 30,739 lumens/fixture. Prismatic Lens selected.

CCT

Select from the following correlated color temperatures:

- 2700K
- 3000K
- 3500K
- 4000K
- 5000K

LENS

LPL Linear Prismatic Lens

PG Prismatic Glass Lens

CG Clear Glass Lens

OPTIONS

DM - 0-10V Dimming

EM - Emergency Battery

2CC - 2 Circuit Wiring

MS - Motion Sensor

GS - Glare Shield

SI - Signage

FINISHES

Electrostatically applied, our thermally cured powdered paints are available in the following colors:

WH - White

SG - Silver Grey

BL - Black

BZ - Bronze

CC - Custom Color

NAT - Natatorium Finish

Zinc Epoxy Primer that resists most salts & alkalis. Essentially, making the system splash proof and corrosion resistant.

Applications



Contact Us

Toll Free - 1-877-765-3722

Phone - 905-457-4777

120 Walker Drive ,Brampton, ON,L6T 4G9, Canada