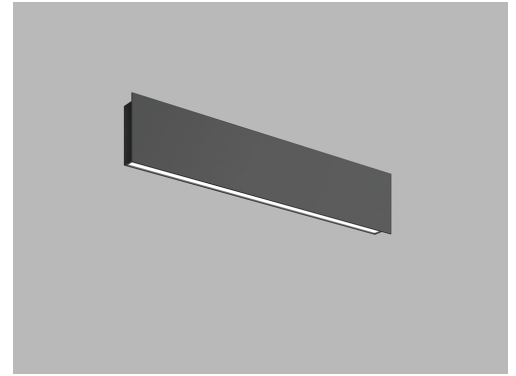




Date
Quote #
Project Name
Type



DEL-I - Wall Mount

Description:

DEL-I will add an aesthetically pleasing light effect to any high-end interior space. All external hardware is made of stainless steel.

Name	Engine	Lumens	CCT	Electrical	Mounting	Lens	Pattern	Options	Finish
<input type="text"/>	<input type="text"/>	<input type="text"/>	<input type="text"/>	<input type="text"/>	<input type="text"/>	<input type="text"/>	<input type="text"/>	<input type="text"/>	<input type="text"/>

Name	Light Engine	Source Lumens _{(LED)(5000K)}	Color Temp	Electrical
DEL-I-24	24 24 LED (Max)	2340	2700K	UNV 120-277V
DEL-I-36	36 36 LED (Max)	3900	3000K 3500K	HLV 347-480V
DEL-I-48	48 48 LED (Max)	5460	4000K 5000K	
	Contact for custom	Contact for custom	Contact for custom	

Mounting	Lens	Light Pattern	Options	Finishes
WM Wall mount	OAL Opal acrylic lens (Std)	UD Up and down light (Std)	DM 0-10V dimming	Standard BL Black
	CGL Color glow lens	F Front light	EM Emergency battery	WH White
			DL Damp location	SG Silver Grey
			SF Single fuse	BZ Bronze
			RGBW Programmable color changing LEDs	Custom CC Custom Color
				See website for custom colors. Contact factory for physical samples.

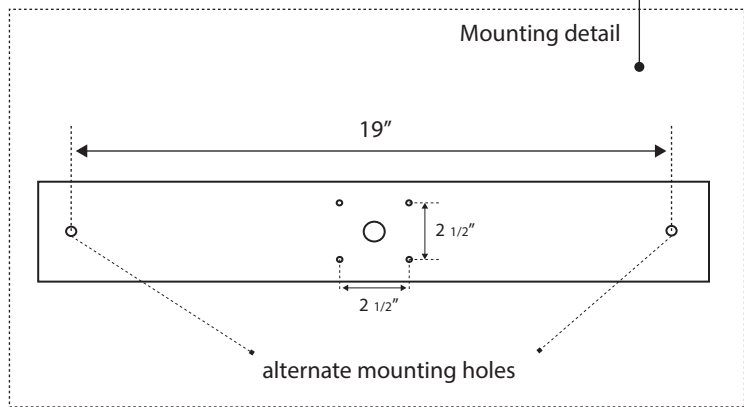
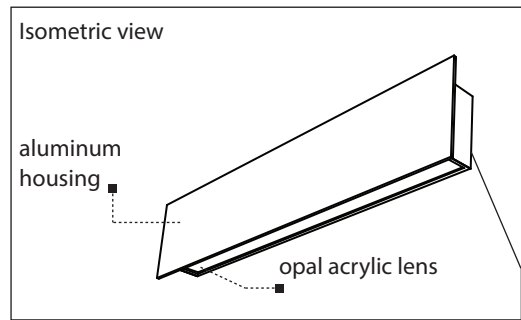
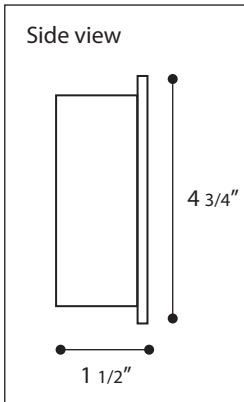
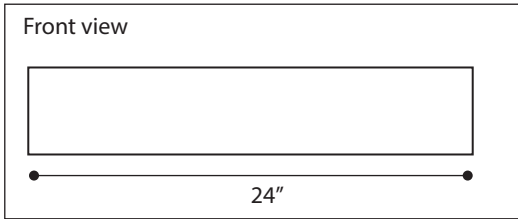
- Lumens are based on max wattage & 5000K CCT
- IES files available upon request
- Std - Standard Offering





Dimensions & Mounting:

Please note that drawings are not to scale.



Listing:

Complies to CSA and UL standards.

Polar Graph:

