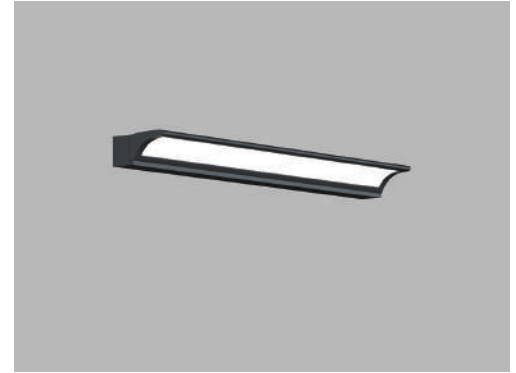




Date
Quote #
Project Name
Type



CURVE - Wall Mount

Description:

Extruded aluminum housing construction with aluminum end caps. Silicone sealed matte velvet lens to exclude bugs and dust. All external hardware is stainless steel.

Name - Engine - Lumens - CCT - Electrical - Mounting - Lens - Pattern - Options - Finish

Name	Light Engine	Source Lumens _{(LED)(5000K)}	Color Temp	Electrical
CURVE-24	24 20 LED (Max)	2339	2700K	UNV 120-277V
CURVE-36	36 30 LED (Max)	3875	3000K	HLV 347-480V
CURVE-48	48 40 LED (Max)	7044	3500K	
CURVE-60	60 54 LED (Max)	8794	4000K	
CURVE-72	72 68 LED (Max)	10555	5000K	
	Contact for custom	Contact for custom	Contact for custom	

Mounting	Lens	Light Pattern	Options	Finishes
WM Wall mount	MV Matte velvet lens	D Down light (Std)	DM 0-10V dimming	Standard
		UD Up and Down light	DM1 1% dimming	BL Black
			TP Tamperproof hardware	WH White
			WL Wet location	SG Silver Grey
			PC Button photocell	BZ Bronze
			EM Emergency battery	Custom
				CC Custom Color
				See website for custom colors. Contact factory for physical samples.

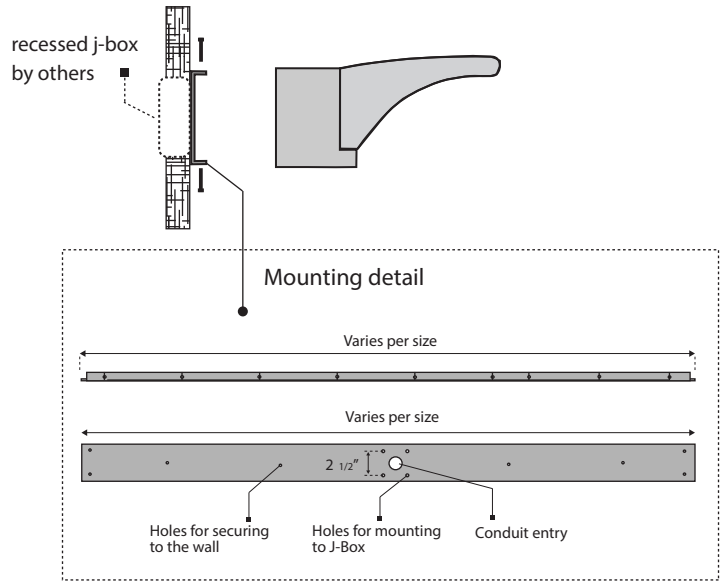
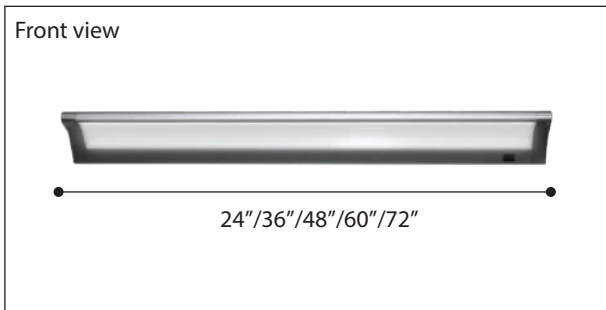
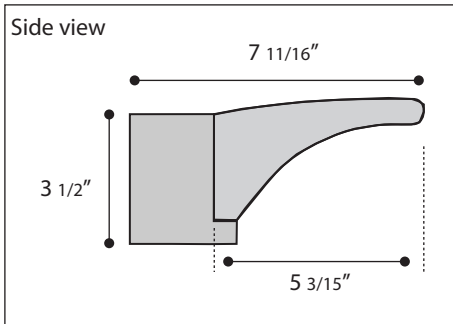
- Lumens are based on max wattage & 5000K CCT
- IES files available upon request
- Std - Standard Offering





Dimensions & Mounting:

Please note that drawings are not to scale.



Listing:

Complies to CSA and UL standards.

Polar Graph:

