



Date
Quote #
Project Name
Type



### CSX/CST - Wall Mount

#### Description:

Both luminaires are made of die-cast aluminum and come with a hinged door cover. The lens is silicone sealed to the fixture housing to make the luminaire weather proof. Suitable for dark sky applications.

Name  - Engine  - Lumens  - CCT  - Electrical  - Mounting  - Lens  - Pattern  - Options  - Finish

Name	Light Engine	Source Lumens <sub>(LED)(5000K)</sub>	Color Temp	Electrical
CSX	48W LED (Max)	6240	3000K	UNV 120-277V
CST	84W LED (Max)	10920	3500K 4000K 5000K	HLV 347-480V

For better illustration on dimensions see {page 2}

Contact for custom

Contact for custom

Contact for custom

Mounting		Lens		Light Pattern		Options		Finishes	
WM	Wall Mount	CG	Clear glass lens (Std)	D	Down light (Std)	WL	Wet location	Standard	
		FG	Frosted glass lens			TP	Tamperproof hardware	BL	Black
		OPL	Opal polycarbonate lens			TS	Tamperproof screws	WH	White
						PC	Button photocell	SG	Silver Grey
						SF	Single fuse	BZ	Bronze
						RB	Remote ballast/driver	Custom	
						DCO	Dark sky cutoff	CC	Custom Color
								See website for custom colors. Contact factory for physical samples.	

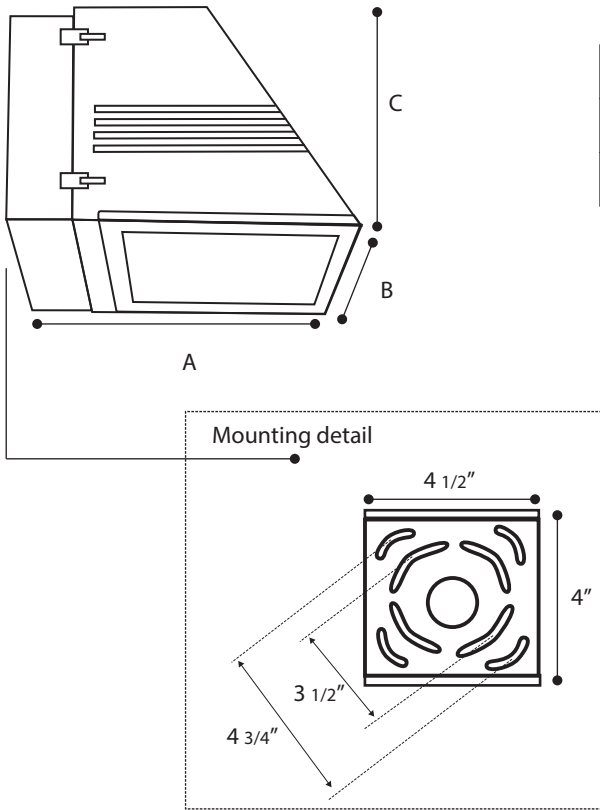
- Lumens are based on max wattage & 5000K CCT
- IES files available upon request
- Std - Standard Offering





**Dimensions & Mounting:**

Please note that drawings are not to scale.



	A	B	C
CSX	11 1/2"	14 3/8"	8 3/4"
CST	13 3/4"	18"	8 3/4"

**Listing:**

Complies to CSA and UL standards.

**Polar Graph:**

