



Date
Quote #
Project Name
Type



## CSP-1 - Pendant

### Description:

Exterior comprises of heavy gauge aluminum ballast housing and die-cut aluminum rings with a ribbed glass bullet lens (standard).

Name	Engine	Lumens	CCT	Electrical	Mounting	Lens	Pattern	Options	Finish
<input type="text"/>	<input type="text"/>	<input type="text"/>	<input type="text"/>	<input type="text"/>	<input type="text"/>	<input type="text"/>	<input type="text"/>	<input type="text"/>	<input type="text"/>

Name	Light Engine	Source Lumens <sub>(LED)(5000K)</sub>	Color Temp	Electrical
CSP-1	42W LED (Max)	5462	3000K	UNV 120-277V
			3500K	HLV 347-480V
			4000K	
			5000K	
	Contact for custom	Contact for custom	Contact for custom	

Mounting	Lens	Light Pattern	Options	Finishes
WM Wall mount	RBL Ribbed glass bullet lens (Std)	EG Encompassing glow (Std)	DM 0-10V dimming	Standard
	CGB Clear glass bullet		RB Remote ballast/driver	BL Black
	OGB Opal glass bullet		SF Single fuse	WH White
			ELB Electronic ballast (HID)	SG Silver Grey
		TS Tamperproof screws	BZ Bronze	
			Custom	
			CC Custom Color	
				See website for custom colors. Contact factory for physical samples.

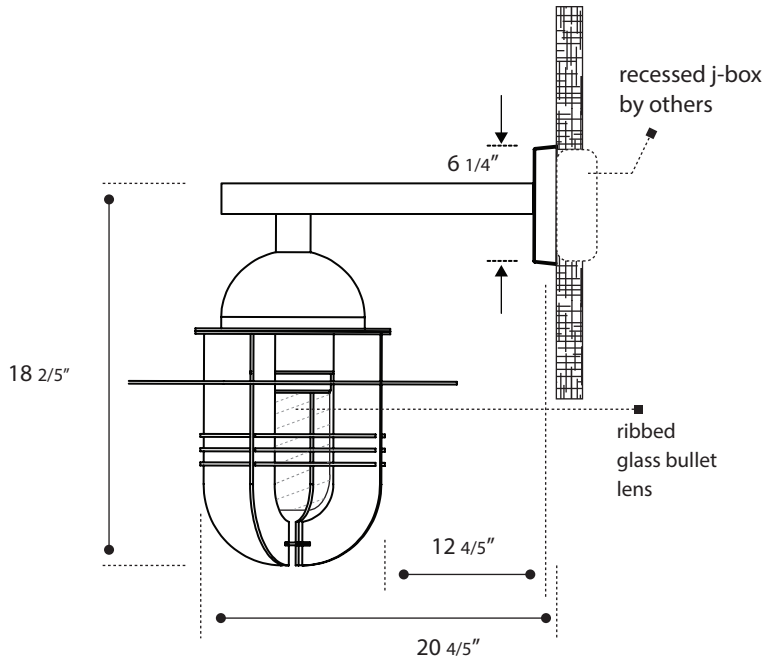
- Lumens are based on max wattage & 5000K CCT
- IES files available upon request
- Std - Standard Offering





**Dimensions & Mounting:**

Please note that drawings are not to scale.



**Listing:**

Complies to CSA and UL standards.

**Polar Graph:**

