



Date
Quote #
Project Name
Type



## CLUB-II - Pendant

### Description:

CLUB is a circular pendant that consists of an aluminum crossbar construction and an opal acrylic lens.

Name  - Engine  - Lumens  - CCT  - Electrical  - Mounting  - Lens  - Pattern  - Options  - Finish

Name	Light Engine	Source Lumens <sub>(LED)(5000K)</sub>	Color Temp	Electrical
CLUB-II	120 LED (Max)	15600	2700K	UNV 120-277V
			3000K	HLV 347-480V
			3500K	
			4000K	
			5000K	
	Contact for custom	Contact for custom	Contact for custom	

Mounting	Lens	Light Pattern	Options	Finishes
P48 48" pendant stem	OAL Opal acrylic lens (Std)	D Down light (Std)	DM 0-10V dimming	Aluminum Framework Only
	FAL Frosted acrylic lens		EM Emergency battery	BL Black
			DS Dust shield	WH White
			SV Swivel Canopy	SG Silver Grey
			RGBW Programmable color changing LEDs	BZ Bronze

- Lumens are based on max wattage & 5000K CCT
- IES files available upon request
- Std - Standard Offering

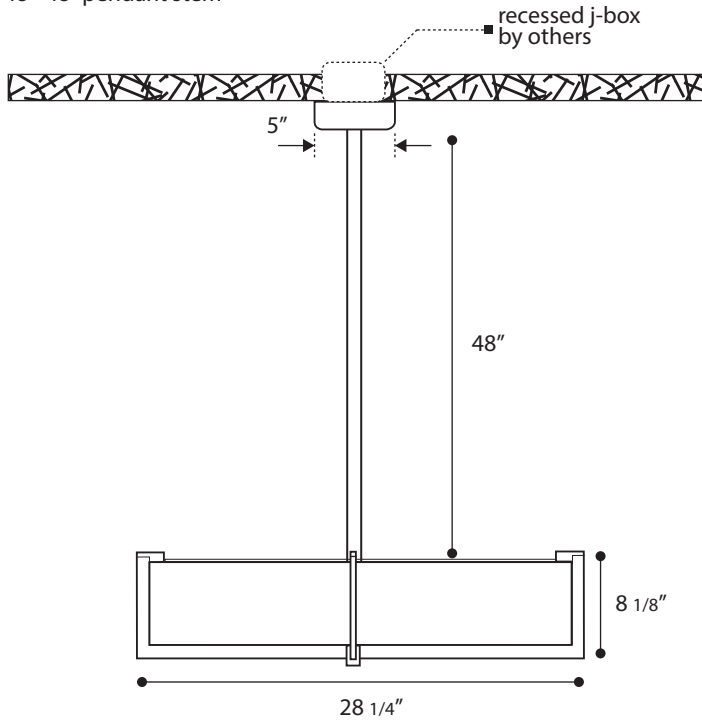




**Dimensions & Mounting:**

Please note that drawings are not to scale.

P48 - 48" pendant stem



**Listing:**

Complies to CSA and UL standards.

**Polar Graph:**

