



Date
Quote #
Project Name
Type



## CIRC-O- Pendant

### Description:

Circular ring pendant with lens on the outside of fixture housing. Various mounting systems available. Lens profile is 6 1/4".

Name  - Engine  - Lumens  - CCT  - Electrical  - Mounting  - Lens  - Pattern  - Options  - Finish

Name	Light Engine	Source Lumens <sub>(LED)(5000K)</sub>	Color Temp	Electrical
CIRC-O-24	24 18W LED	1875	2700K	UNV 120-277V
CIRC-O-36	36 31W LED	3379	3000K	HLV 347-480V
CIRC-O-48	48 44W LED	4815	3500K	
CIRC-O-60	60 57W LED	6250	4000K	
CIRC-O-72	72 70W LED	7686	5000K	
	Higher wattages available (contact factory)	Contact for custom	Contact for custom	

Mounting	Lens	Light Pattern	Options	Finishes
3AC48-CMB 3X48" aircraft cables with individual canopies	OAL Opal acrylic lens	EG Encompassing glow	DM 0-10V dimming DM1 1% dimming	Standard BL Black WH White
3AC48-SPD 3 aircraft cables connect to spider mount hub			2CC 2 circuit wiring	SG Silver Grey BZ Bronze
3AC48-TR 3 aircraft cables converge to a single canopy			SF Single fuse	
3AC48-SPD-P Combination of aircraft cables and stem			EM Emergency battery RB Remote ballast/driver RGBW Programmable color changing LEDs	Custom CC Custom Color See website for custom colors. Contact factory for physical samples.

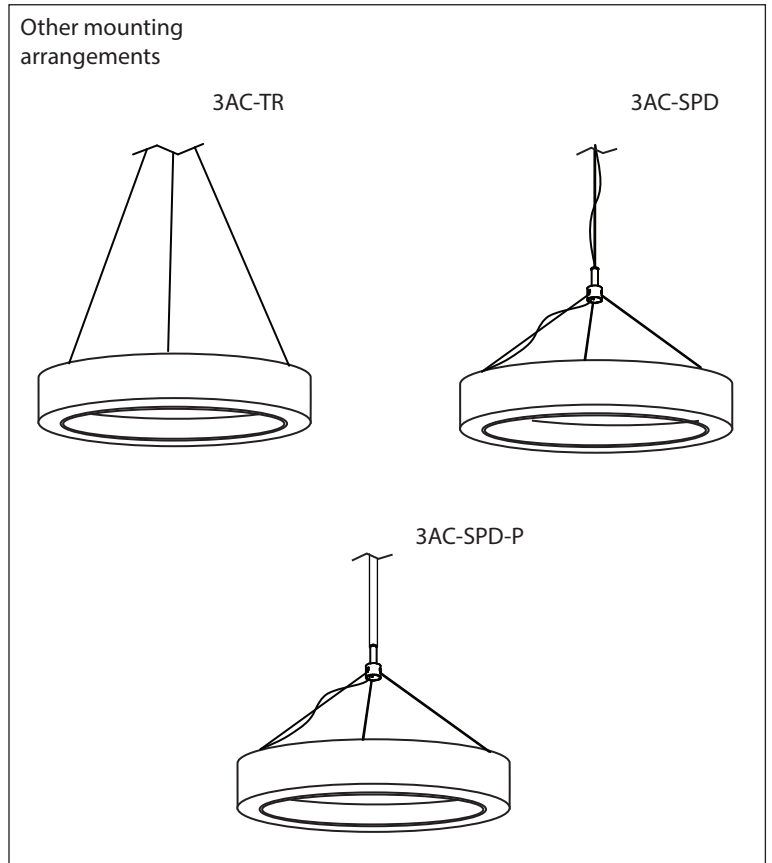
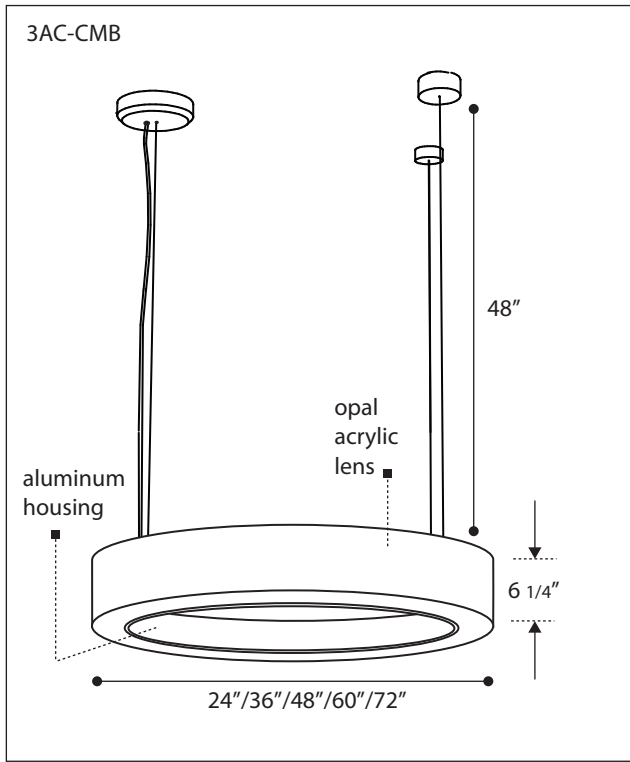
- Lumens are based on max wattage & 5000K CCT
- IES files available upon request
- Std - Standard Offering





**Dimensions & Mounting:**

Please note that drawings are not to scale.



**Listing:**

Complies to CSA and UL standards.

**Polar Graph:**

