



Date
Quote #
Project Name
Type



CIRC-II - Pendant

Description:

This circular pendant does not have a lens and provides an indirect lighting effect. Various mounting systems available. Select between a fixture depth of 4" or 6 1/4".

Name - Engine - Lumens - CCT - Electrical - Mounting - Lens - Pattern - Options - Finish

Name	Light Engine	Source Lumens _{(LED)(5000K)}	Color Temp	Electrical
CIRC-II-24	24 18W LED	1875	2700K	UNV 120-277V
CIRC-II-36	36 31W LED	3379	3000K	HLV 347-480V
CIRC-II-48	48 44W LED	4815	3500K	
CIRC-II-60	60 57W LED	6250	4000K	
CIRC-II-72	72 70W LED	7686	5000K	
	Higher wattages available (contact factory)	Contact for custom	Contact for custom	

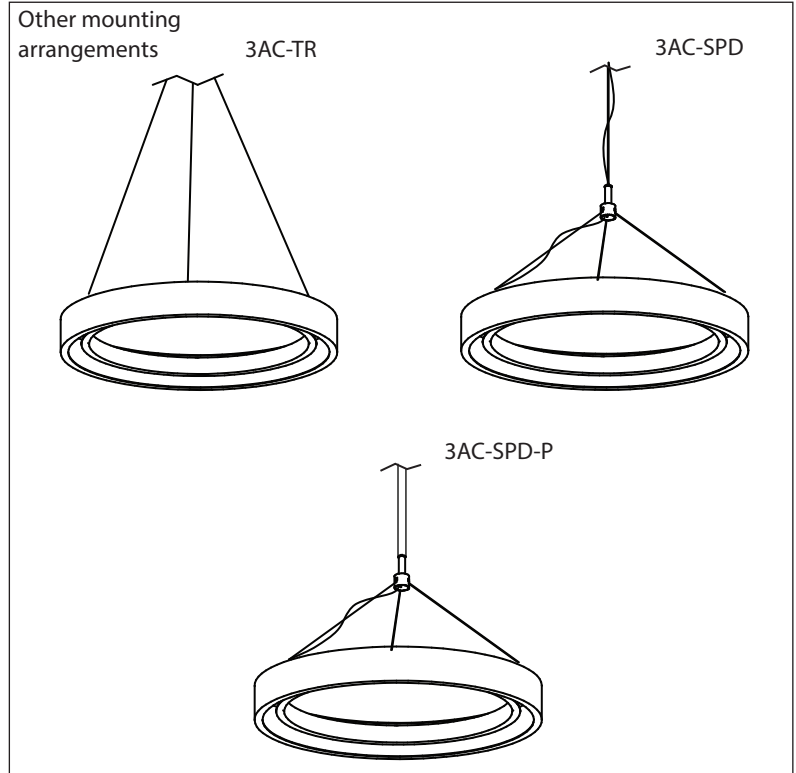
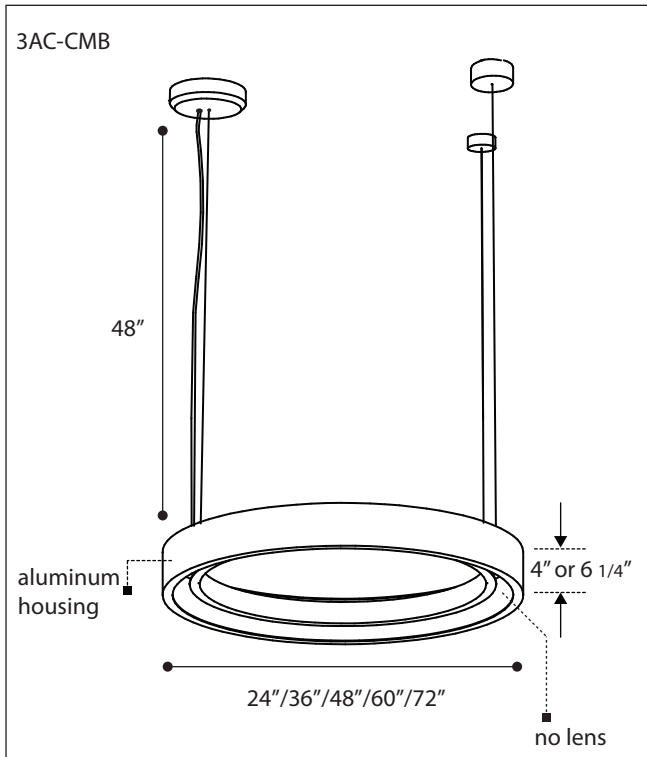
Mounting	Lens	Light Pattern	Options	Finishes
3AC48-CMB 3X48" aircraft cables with individual canopies	Not available	RG Reflective glow	DM 0-10V dimming DM1 1% dimming	Standard BL Black WH White
3AC48-SPD 3 aircraft cables connect to spider mount hub			2CC 2 circuit wiring	SG Silver Grey BZ Bronze
3AC48-TR 3 aircraft cables converge to a single canopy			SF Single fuse EM Emergency battery	Custom CC Custom Color
3AC48-SPD-P Combination of aircraft cables and stem			RB Remote ballast/driver RGBW Programmable color changing LEDs	See website for custom colors. Contact factory for physical samples.

- Lumens are based on max wattage & 5000K CCT
- IES files available upon request
- Std - Standard Offering



Dimensions & Mounting:

Please note that drawings are not to scale.



Listing:

Complies to CSA and UL standards.

Polar Graph:

