



Date
Quote #
Project Name
Type



## CIRC - Pendant

### Description:

Circular ring pendant with lens on the inside of fixture housing. Various mounting systems available to suit any indoor space. Lens profile is 6 1/4".

Name  - Engine  - Lumens  - CCT  - Electrical  - Mounting  - Lens  - Pattern  - Options  - Finish

Name	Light Engine	Source Lumens <sub>(LED)(5000K)</sub>	Color Temp	Electrical
CIRC-24	24 26W LED	2841	2700K	UNV 120-277V
CIRC-36	36 39W LED	4276	3000K	HLV 347-480V
CIRC-48	48 52W LED	5712	3500K	
CIRC-60	60 65W LED	7148	4000K	
CIRC-72	72 79W LED	8583	5000K	
	Higher wattages available (contact factory)	Contact for custom	Contact for custom	

Mounting	Lens	Light Pattern	Options	Finishes
3AC48-CMB 3X48" aircraft cables with individual canopies	OAL Opal acrylic lens	IG Internal glow	DM 0-10V dimming	Standard
	ABL Alabaster lens		DM1 1% dimming	BL Black
3AC48-SPD 3 aircraft cables connect to spider mount hub			2CC 2 circuit wiring	WH White
			SF Single fuse	SG Silver Grey
3AC48-TR 3 aircraft cables converge to a single canopy			EM Emergency battery	BZ Bronze
			RB Remote ballast/driver	Custom
3AC48-SPD-P Combination of aircraft cables and stem			RGBW Programmable color changing LEDs	CC Custom Color
				See website for custom colors. Contact factory for physical samples.

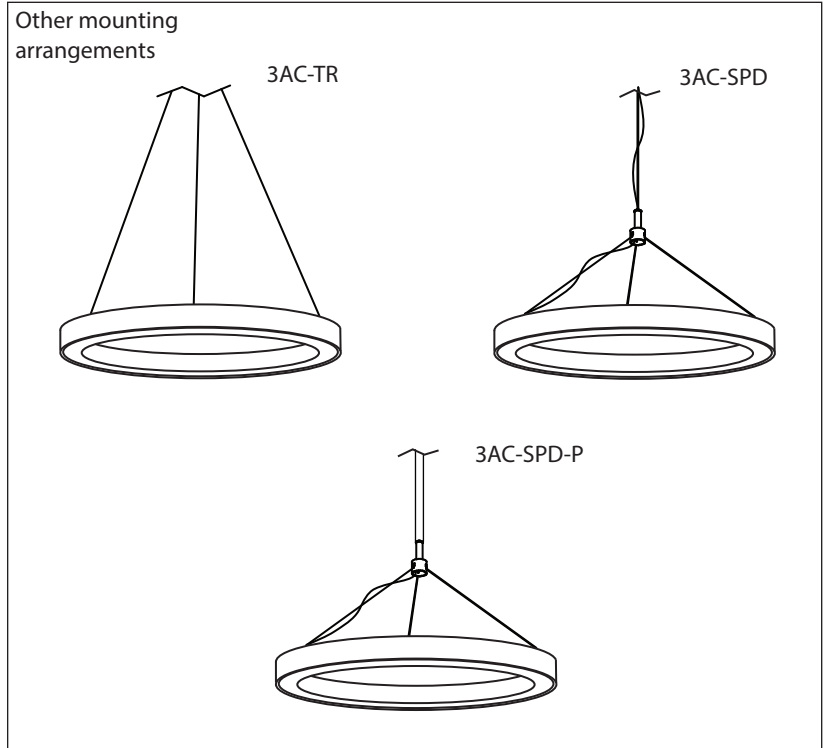
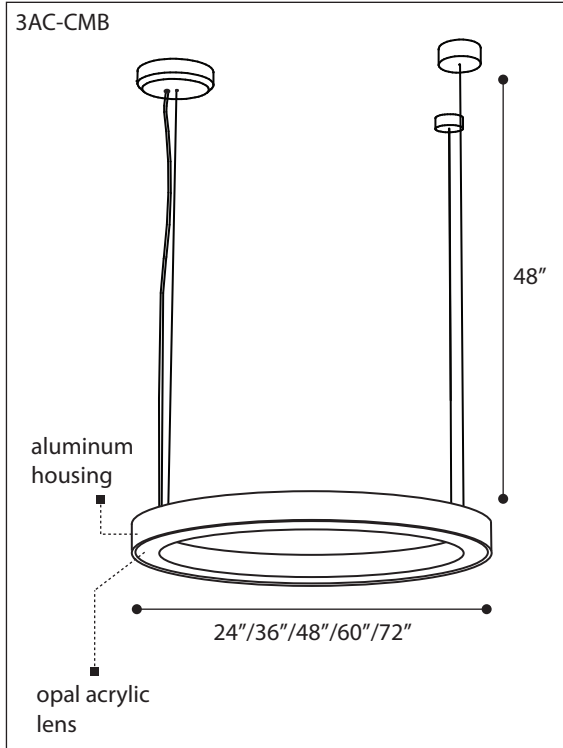
- Lumens are based on max wattage & 5000K CCT
- IES files available upon request
- Std - Standard Offering





**Dimensions & Mounting:**

Please note that drawings are not to scale.



**Listing:**

Complies to CSA and UL standards.

**Polar Graph:**

