



Date
Quote #
Project Name
Type



CHANDE - Pendant

Description:

Aluminum frame construction with an opal acrylic lens at the bottom. Available in 3 different sizes. All external hardware is stainless steel.

Name - Engine - Lumens - CCT - Electrical - Mounting - Lens - Pattern - Options - Finish

Name	Light Engine	Source Lumens _{(LED)(5000K)}	Color Temp	Electrical
CHANDE-24	24 20 LED (Max)	3520	2700K	UNV 120-277V
CHANDE-36	36 30 LED (Max)	5280	3000K	HLV 347-480V
CHANDE-42	42 40 LED (Max)	7040	3500K	
			4000K	
			5000K	

Contact for custom

Contact for custom

Contact for custom

Mounting	Lens	Light Pattern	Options	Finishes
4P12 4X12" pendant stems (Std)	OAL Opal acrylic lens (Std)	D Down light (Std)	DM 0-10V dimming	Standard BL Black
3AC48-SPD 3 aircraft cables connect to spider mount hub	FL Frosted lens		DM1 1% dimming	WH White
	ABL Alabaster lens		RB Remote ballast/driver	SG Silver Grey
3AC48-SPD-P Combination of aircraft cables nad stem			EM Emergency battery	BZ Bronze
			RGBW Programmable color changing LEDs	Custom CC Custom Color

See website for custom colors. Contact factory for physical samples.

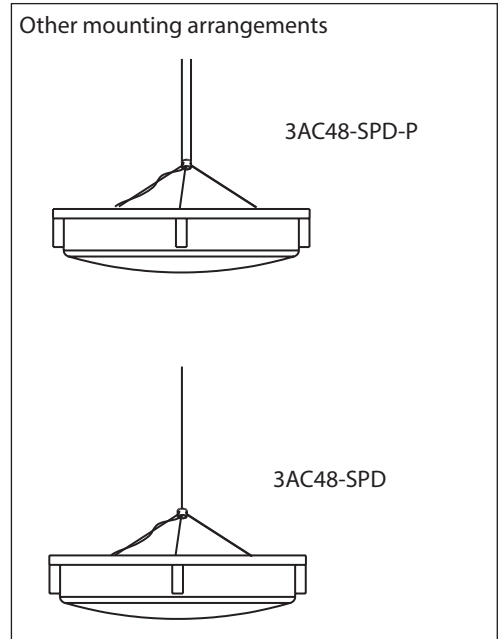
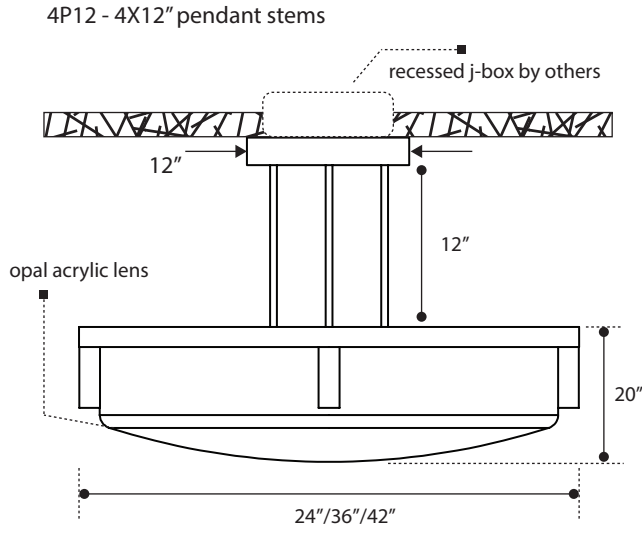
- Lumens are based on max wattage & 5000K CCT
- IES files available upon request
- Std - Standard Offering





Dimensions & Mounting:

Please note that drawings are not to scale.



Listing:

Complies to CSA and UL standards.

Polar Graph:

