



Date
Quote #
Project Name
Type



## BONGO - Post Top

### Description:

BONGO is post-top with a modern appearance. Light is distributed by an indirect throw. Both symmetric and asymmetric patterns available. All external hardware is stainless steel.

Name	Engine	Lumens	CCT	Electrical	Mounting	Lens	Pattern	Options	Finish
<input type="text"/>	<input type="text"/>	<input type="text"/>	<input type="text"/>	<input type="text"/>	<input type="text"/>	<input type="text"/>	<input type="text"/>	<input type="text"/>	<input type="text"/>

Name	Light Engine	Source Lumens <sub>(LED)(5000K)</sub>	Color Temp	Electrical
BONGO	60W LED (Max)	8010	3000K	UNV 120-277V
			3500K	HLV 347-480V
			4000K	
			5000K	

Contact for custom

Contact for custom

Contact for custom

Mounting	Lens	Light Pattern	Options	Finishes
PT3 Post top slips over 3" pole	CPL Clear polycarbonate lens (Std)	SYM Symmetric (Std)	SD Step dimming	Standard BL Black
PT4 Post top slips over 4" pole	PR Prismatic lens (K12)	ASM Asymmetric	MS Motion sensor	WH White
WM Wall mount	CG Clear glass lens		TCO Trespass cut off	SG Silver Grey
			TP Tamperproof hardware	BZ Bronze
			TS Tamperproof screws	Custom CC Custom Color
			PC Bottom photocell	See website for custom colors. Contact factory for physical samples.
			SF Single fuse	

- Lumens are based on max wattage & 5000K CCT
- IES files available upon request
- Std - Standard Offering

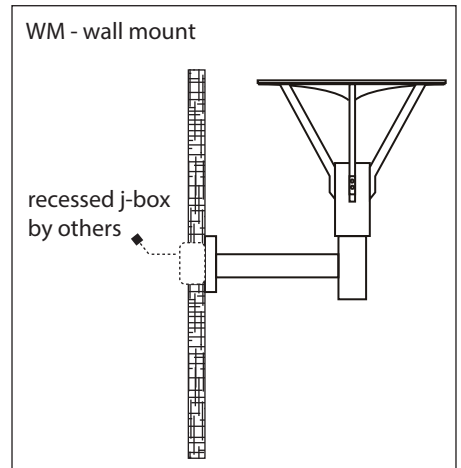
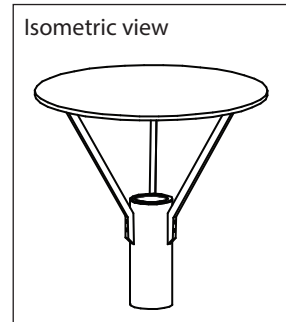
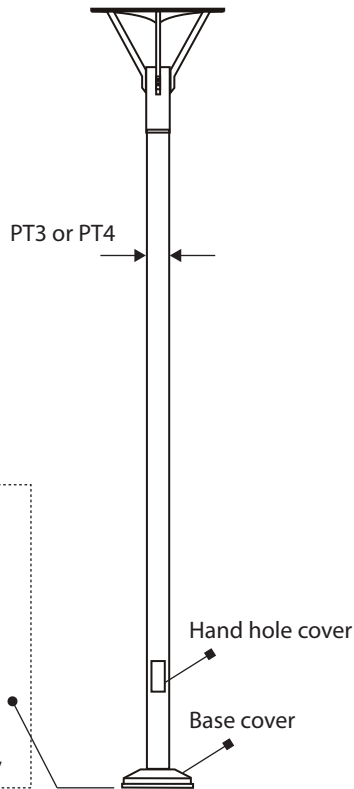
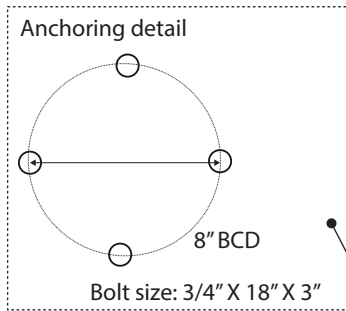
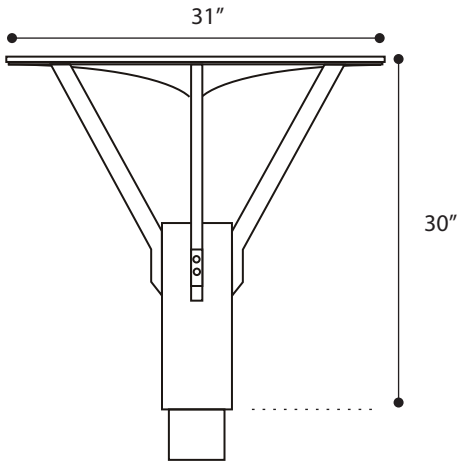




**Dimensions & Mounting:**

Please note that drawings are not to scale.

Side view

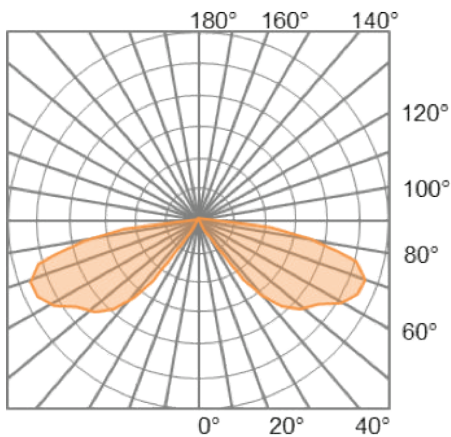


**Listing:**

Complies to CSA and UL standards.

**Polar Graph:**

SYM



ASM

