



Date
Quote #
Project Name
Type



BC - Pendant

Description:

Construction consists of a cast aluminum dome bottom and spun aluminum hood. Available in 3 variations:

- BC-1: With decorative hood
- BC-2: With flat hood
- BC-3: With flat perforated hood

Name - Engine - Lumens - CCT - Electrical - Mounting - Lens - Pattern - Options - Finish

Name	Light Engine	Source Lumens _{(LED)(5000K)}	Color Temp	Electrical
BC-1	45W LED (Max)	6585	2700K	UNV 120-277V
BC-2	32PLT		3000K	HLV 347-480V
BC-3	100 MH		3500K	TT Tri-Tap(HID)
For better illustration on variations see {page 2}			4000K	MT Multi-Tap(HID)
			5000K	

Contact for custom

Contact for custom

Contact for custom

Mounting	Lens	Light Pattern	Options	Finishes
AC48 48" aircraft cable (Std)	CG Clear glass lens (Std)	D Down light (Std)	DM 0-10V dimming	Standard BL Black
P48 48" pendant stem	PG Prismatic glass lens		DM1 1% dimming	WH White
CM Ceiling mount			SF Single fuse	SG Silver Grey
			EM Emergency battery	BZ Bronze
			AEL Quartz restrike	Custom CC Custom Color

See website for custom colors. Contact factory for physical samples.

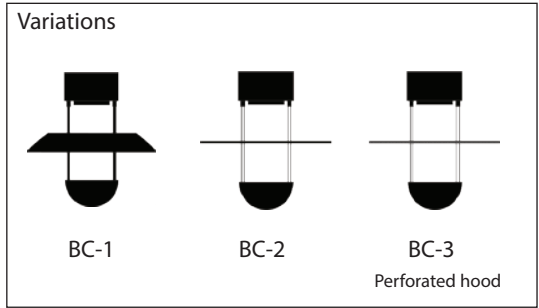
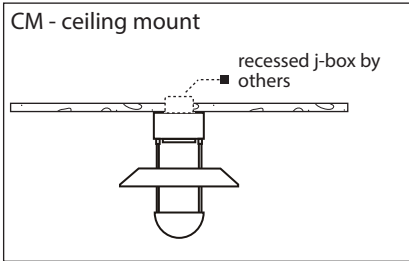
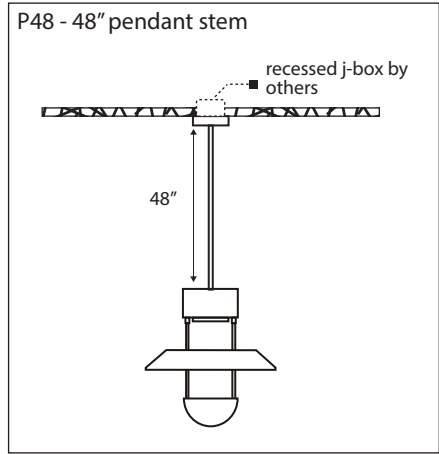
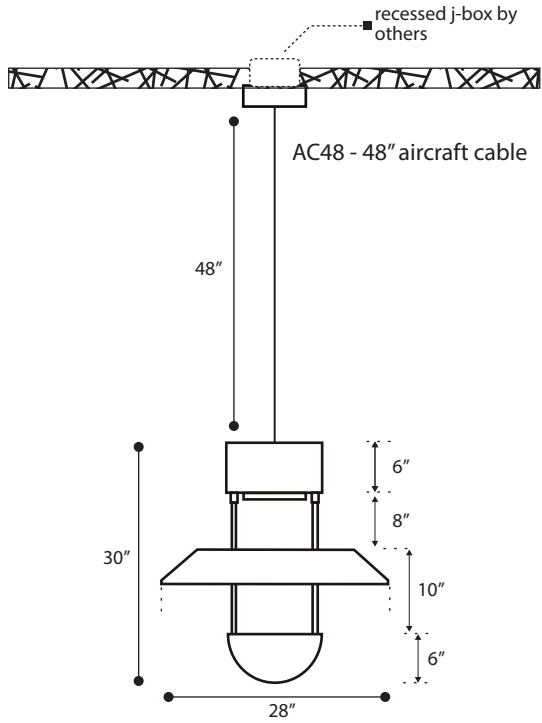
- Lumens are based on max wattage & 5000K CCT
- IES files available upon request
- Std - Standard Offering





Dimensions & Mounting:

Please note that drawings are not to scale.



Listing:

Complies to CSA and UL standards.

Polar Graph:

