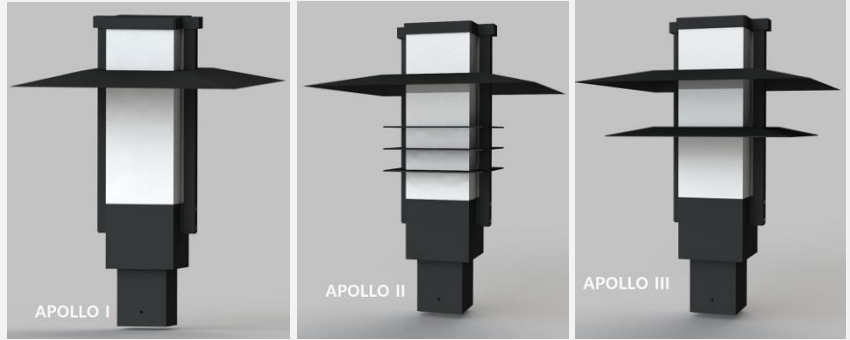


Date: _____

Type: _____

Project: _____



APOLLO SERIES – POST TOP

The APOLLO SERIES is a lantern series that could install as post top/pole mount, wall mount and pier mount. Its contemporary design makes it ideal for pedestrian walkways. It comes with various hood & louver designs.

Name	Lumens	Lamping*	Color Temp	Electrical	Mounting
APOLLO I	3251 lumens	48W LED	3000K	UNV 120-277V	PM Pier Mount
APOLLO II	2392 lumens		4000K	HLV 347-480V	PT Post Top / Pole Mount
APOLLO III	2450 lumens		5000K		WM Wall Mount
	Contact for custom	Contact for other wattages			

Lens		Light Pattern		Options		Finishes	
OAL	Opal Acrylic Lens (Std)	TY5	Type V (Std)	TP	Tamperproof Hardware	BL	Black
				TS	Tamperproof Screws	WH	White
				PC	Button Photocell (voltage specific)	SG	Silver Grey
				DM	0-10V Dimming	BZ	Bronze
				SF	Single Fuse	CC	Custom Color
				GFR	Ground Fault Receptacle		
	Contact for other lens colors				Contact for other options		See finishes info on website

* Lumens are based on Max Wattage and 5000K CCT for (A+B) lamping
Std – Standard Offering

APOLLO I- _____

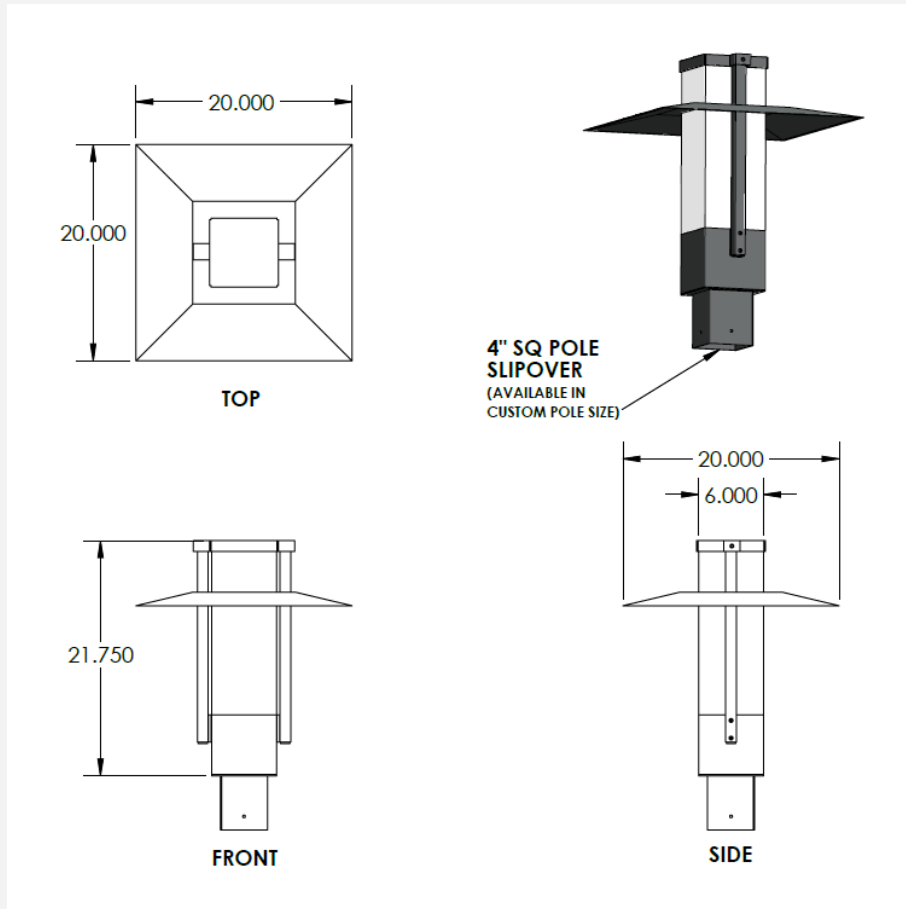
APOLLO II- _____

APOLLO III- _____

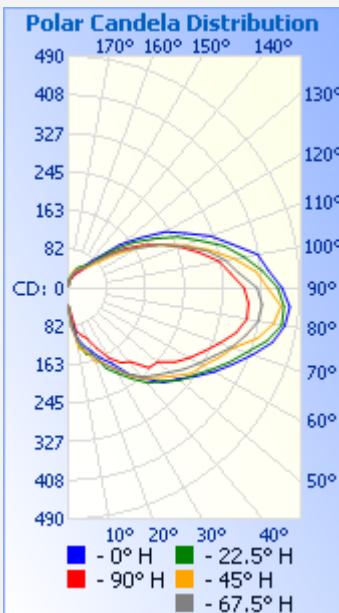
Customization Notes:

▶▶▶ Info on this spec sheet will change without notice as product development is an ongoing process.

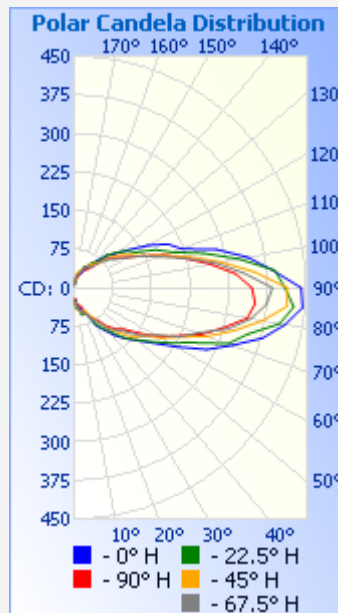
Dimensions & Mounting (drawings are not to scale)



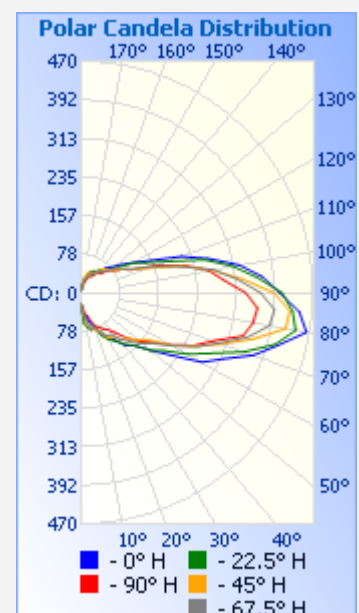
Polar Graphs



APOLLO I



APOLLO II



APOLLO III