

Date:

Type:

Project:



ALDO / 2ALDO BOLLARD

Modern & sleek design made from extruded aluminum. Available in double head assembly and with a variety of finishings to choose from.

Contact Solera for custom dimensions.

Name	Lamping*	Lumens*	Color Temp	Electrical	Mounting
ALDO-BLD 2ALDO-BLD	24 W LED per side (max)	3120 per side	5000K 4000K 3500K 3000K	UNV HLV 120-277V 347-480V	ABT Anchors, bolts, & template
Contact for custom height & width					

Lens	Light Pattern	Options	Finishes
CL Clear lens (Std)	Accent light	TP/TS Vinyl graphic print, contact factory WOOD Ground fault receptacle GFR Button photocell, Voltage specific PC	BL Black WH White SG Silver Grey BZ Bronze CC Custom Color
			See finishes info on website

*Lumens are based on Max Wattage and 5000K CCT

*Specific IES Files available upon request

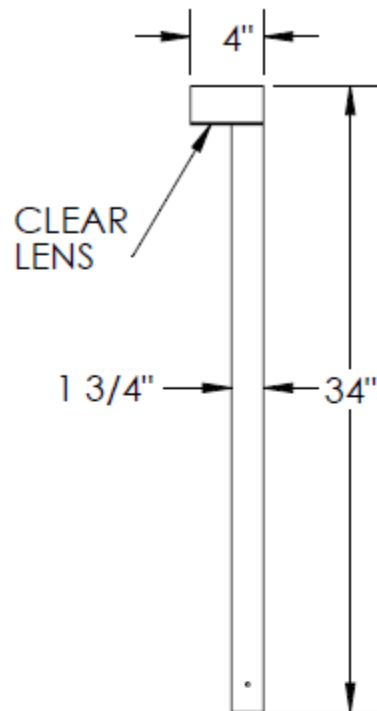
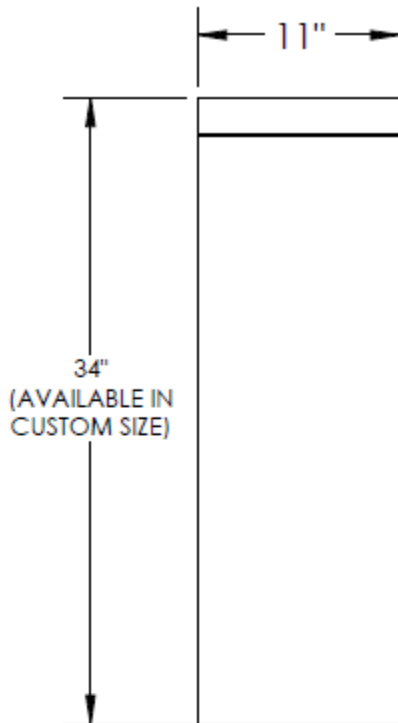
Std – Standard Offering

ALDO or 2ALDO-BLD- _____

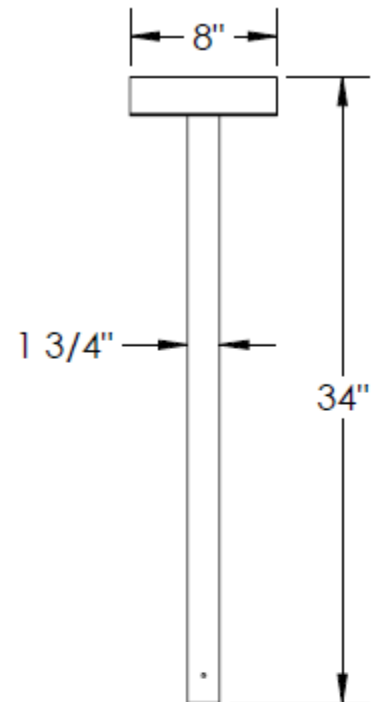
Customization Notes:

▶▶▶ Info on this spec sheet will change without notice as product development is an ongoing process.

Dimensions & Mounting (measurements in inches; drawings are not to scale)

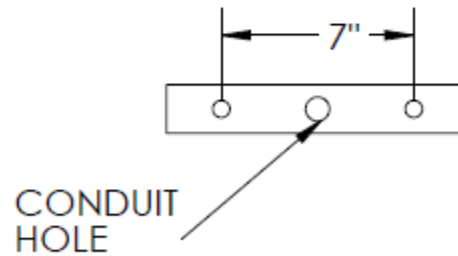


**SINGLE HEAD
(ALDO)**



**DOUBLE HEAD
(2ALDO)**

Anchoring Details:



Anchorbolt Size: 1/2" X 12" X 1-3/8"

- Hot dipped Galvanized anchor bolts
- Galvanized steel hex nuts
- Galvanized steel flat washers