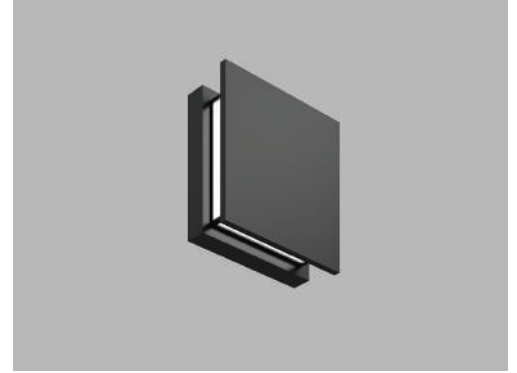




Date
Quote #
Project Name
Type



## ACER - Wall Mount

### Description:

Aluminum housing construction with silicone sealed lens for full weatherproof protection. 4 window light dispersion pattern.

Name  - Engine  - Lumens  - CCT  - Electrical  - Mounting  - Lens  - Pattern  - Options  - Finish

Name	Light Engine	Source Lumens <sub>(LED)(5000K)</sub>	Color Temp	Electrical
ACER	32W LED (Max)	5632	30K	3000K UNV 120-277V
			40K	4000K HLV 347-480V
			45K	4500K
			50K	5000K

Mounting		Lens		Light Pattern		Options		Finishes	
WM	Wall mount	OPL	Opal polycarbonate lens	4W	4 windows	DM	0-10V dimming	Standard	
						WL	Wet location	BL	Black
						SF	Single fuse	WH	White
								SG	Silver Grey
								BZ	Bronze
								Custom	
								CC	Custom Color
									See website for custom colors. Contact factory for physical samples.

- Lumens are based on max wattage & 5000K CCT
- IES files available upon request
- Std - Standard Offering

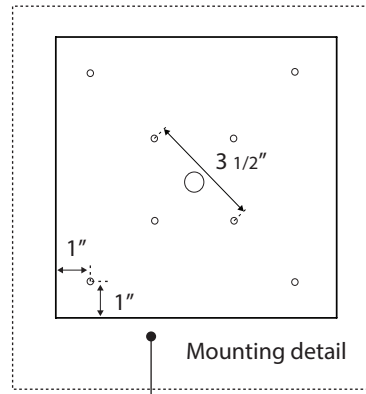
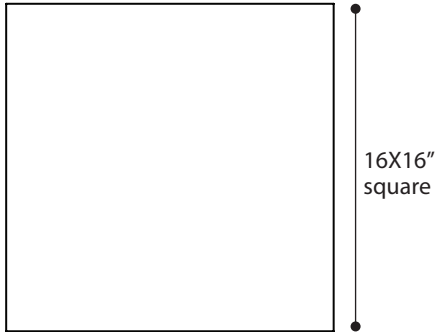




**Dimensions & Mounting:**

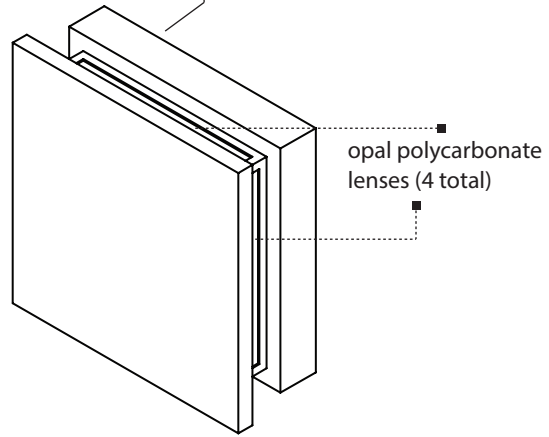
Please note that drawings are not to scale.

Front view



Mounting detail

Iso view



opal polycarbonate lenses (4 total)

**Listing:**

Complies to CSA and UL standards.

**Polar Graph:**

