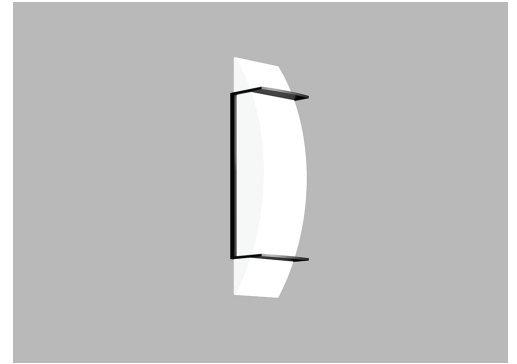




Date
Quote #
Project Name
Type



ABLE - Wall Mount

Description:

ABLE sports a sleek-curved design. Lens is secured and sealed to housing. Horizontal aluminum bars divides the light for a unique glow effect. All external hardware is stainless steel.

Name - Engine - Lumens - CCT - Electrical - Mounting - Lens - Pattern - Options - Finish

Name	Light Engine	Source Lumens _{(LED)(5000K)}	Color Temp	Electrical
ABLE	18W LED (Max)	4756	30K	3000K UNV 120-277V
			35K	3500K HLV 347-480V
			40K	4000K
			50K	5000K

Contact for custom

Contact for custom

Contact for custom

Mounting	Lens	Light Pattern	Options	Finishes
WM Wall mount	OPL Opal polycarbonate lens	EG Encompassing glow	DM 0-10V dimming	Standard
			DM1 1% dimming	BL Black
			WL Wet location	WH White
			SF Single fuse	SG Silver Grey
			EM Emergency battery	BZ Bronze

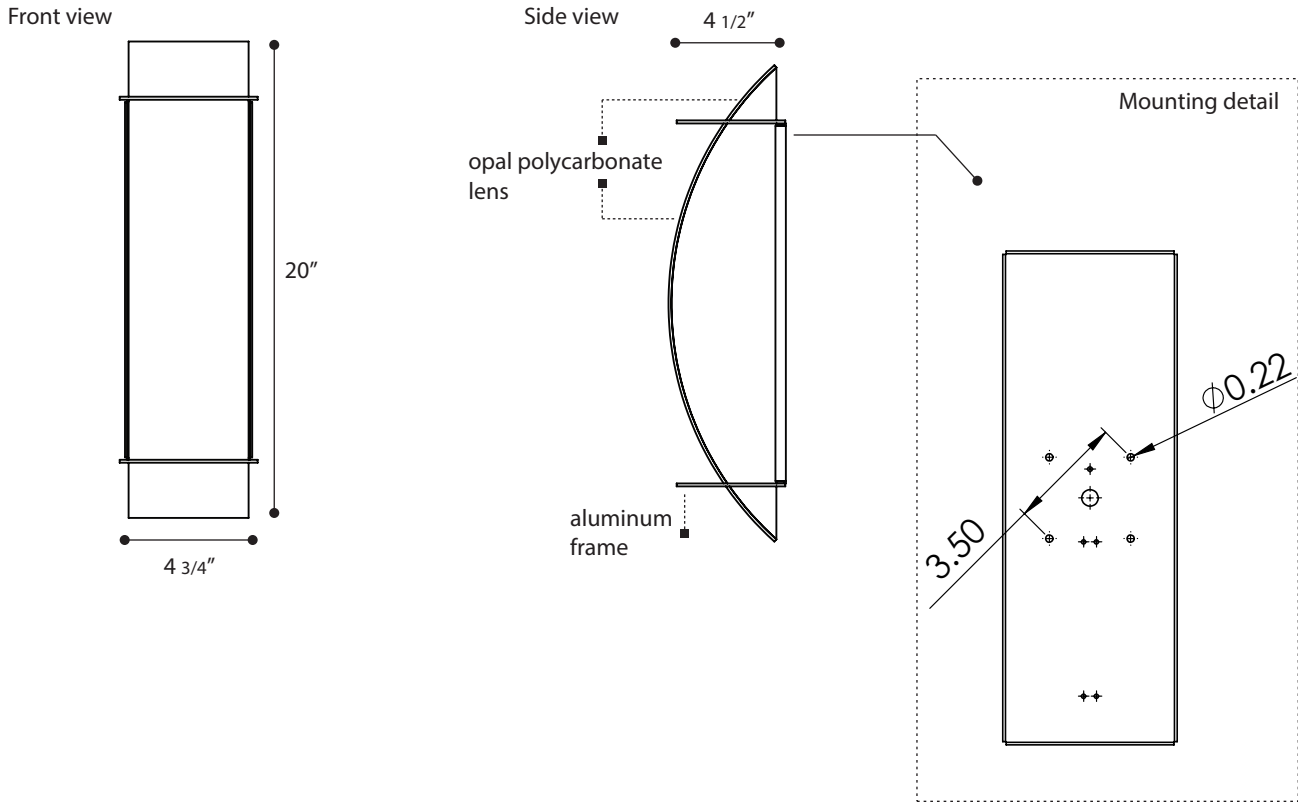
- Lumens are based on max wattage & 5000K CCT
- IES files available upon request
- Std - Standard Offering





Dimensions & Mounting:

Please note that drawings are not to scale.



Listing:

Complies to CSA and UL standards.

Polar Graph:

