



Date
Quote #
Project Name
Type



2SRBK - Wall Mount

Description:

2SRBK is a surface mounted cylinder available with a wide beam or narrow beam distribution pattern. 2SRBK has an up/down light. Various sizes available.

Name - Engine - Lumens - CCT - Electrical - Mounting - Lens - Pattern - Options - Finish

Name	Light Engine	Source Lumens _{(LED)(5000K)}	Color Temp	Electrical
2SRBK-6-15	6X15 18W LED/Side	4756	30K 3000K	UNV 120-277V
2SRBK-8-15	8X15 29W LED/Side	6470	35K 3500K	HLV 347-480V
2SRBK-8-18	8X18 40W LED/Side	11500	40K 4000K 50K 5000K	

Contact for custom Contact for custom Contact for custom

Mounting	Lens	Light Pattern	Options	Finishes
WM Wall mount	CG Clear glass lens	NB Narrow beam	DM 0-10V dimming	Standard
	PR Prismatic lens (K12)	MB Medium beam	WL Wet location	BL Black
		WB Wide beam	PC Button photocell	WH White
			TP Tamperproof hardware	SG Silver Grey
			TS Tamperproof screws	BZ Bronze
			RGBW Programmable color changing LEDs	Custom
			AEL Quartz restrike (relay)	CC Custom Color
			MEL Quartz restrike (no relay)	See website for custom colors. Contact factory for physical samples.
				CH Chrome
				ANO Anodized aluminum

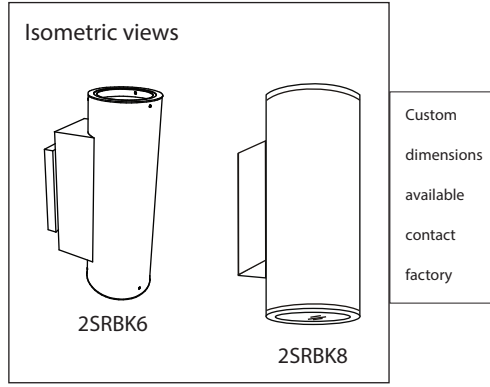
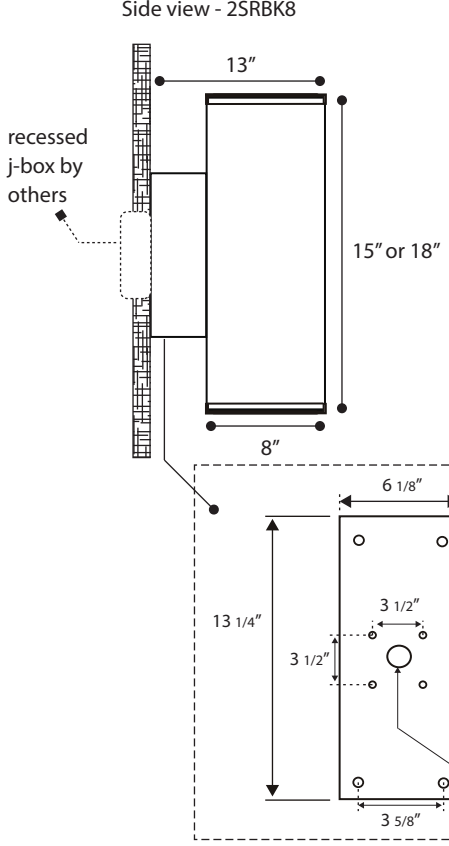
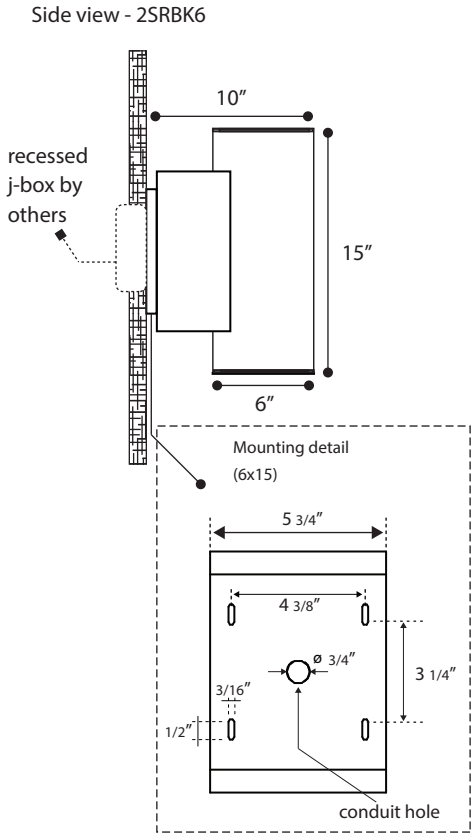
- Lumens are based on max wattage & 5000K CCT
- IES files available upon request
- Std - Standard Offering





Dimensions & Mounting:

Please note that drawings are not to scale.



Listing:

Complies to CSA and UL standards.

Polar Graph:

